



DEARBORN
LOADERS

STANDARD
HEAVY DUTY
REAR MOUNTED
INDUSTRIAL
BUCKETS and CRANES
MASTER PARTS BOOK



NOVEMBER, 1953

FORD TRACTOR DIVISION

Ford Motor Company

2500 East Maple Road, Dearborn, Michigan
www.ntractorclub.com

DEARBORN

Loaders

MASTER PARTS BOOK,

PREFACE

The purpose of this Parts Books is to present, in convenient group sequence, a listing of all parts which may be required to service Dearborn Loaders.

This Parts Book is divided into ten groups. Each group covers a separate section of the Loaders. Group I contains the Frame Assemblies of all Models; Group II includes the Lift Arm Assemblies of all Models; etc.

11/13
NOVEMBER 1953

FORD TRACTOR DIVISION
Ford Motor Company

2500 EAST MAPLE ROAD • BIRMINGHAM, MICHIGAN

COPYRIGHT, 1953 FORD MOTOR CO.
DEARBORN, MICH.

GENERAL INFORMATION

To insure simplicity and in keeping with a uniform system of parts book preparation this book has been compiled and arranged according to six major divisions as follows:

GENERAL INFORMATION — This division contains an explanation of the features of this catalog plus instructions and examples as to how the catalog may be most efficiently used.

GROUP INDEX — This division contains a list of the main groups and sub-groups into which the Parts List has been separated, together with the page number on which each of these groups appear.

ILLUSTRATION INDEX — This division lists the figure numbers, titles and page numbers on which each illustration may be found.

ALPHABETICAL INDEX — This division contains an alphabetical listing of all parts together with the Group numbers in which each part may be found.

PARTS LIST — This division, which makes up the body of the catalog, lists all the parts which are available for service replacement, and indicates the part number and name of each, as well as the quantity required per unit.

In order to simplify the locating of parts, this division has been broken down into main groups and sub-groups as listed in the Group Index on Page 5. For example, Group 6 covers the Control Valves and Attachments and has been broken down into three sub-groups as follows:

- Group 6-1 Control Valve and Attachments for Models 19-8 (Prior), 8A (Prior)
- Group 6-2 Control Valve and Attachments for Model 19-22, 59
- Group 6-3 Control Valve for Models 19-23 (Prior), 19-42, (Prior), 60, 61 (Prior)

To further simplify the locating of parts in the Parts List and to insure positive identification of the part or parts required an Exploded View Illustration has been placed at the beginning of each sub-group. These illustrations are actual photographs of the various assemblies, sub-assemblies and attaching parts listed in each sub-group. Each part in every illustration has been given an item number which ties it up directly with its respective part number in the Parts List.

NUMERICAL INDEX — This division contains a List of all parts in numerical order, together with their part name and page number on which each part may be found.

INSTRUCTIONS FOR LOCATING PARTS WITHIN THIS PARTS BOOK

By using the various indexes, illustrations and the grouping system employed in this book any part may be easily located. For example:

1. If only the name or description of the part is known —
 - a. Turn to the Alphabetical Index and locate the part by description of name in alphabetical sequence.
 - b. Turn to the Group number listed and locate the desired part in the Parts List.

2. If only the function of the part is known —
 - a. Turn to the Group Index or the model illustrations in the front of the book and ascertain the group in which the part is most likely to appear in the Parts List.
 - b. Turn to the indicated group and refer to the illustration preceding that group and locate the desired part on that illustration.
 - c. Ascertain the item number of the part desired and locate the item number on the immediately following Parts List by using the illustration reference column.
3. If only the part number is known —
 - a. Turn to the Numerical Index and locate the part in numerical sequence.
 - b. Turn to the page number listed and locate the desired part in the Parts List.

NOTE:

The following examples are offered to show the ease and simplicity with which parts may be located in this book.

- (1) For example, if the parts order clerk or a mechanic wishes to ascertain the part number of the drive shaft for the Heavy Duty Loader he can first turn to the Alphabetical Index which lists the part he is looking for as Shaft, drive, to be found in Group 7-2. By turning to Group 7-2 he will find the part number of the part required to be 194355.

If he is in doubt as to whether the part he has found is the correct part a check can be made by referring to the illustrations as indicated by the figure number and item number shown in the Illustration Reference Column.

- (2) For another example, if he wishes to locate the same part but he does not know the correct name of the part, but does know it is part of the Hydraulic Pump and Drive Parts, he can refer to the Group Index on Page 6. In this Index he will find the Hydraulic Pump and Drive Parts to be in Group 7-2 located on Page 67. On turning to this page he will find an Exploded View Illustration of the Hydraulic Pump and Drive Parts heading up this group. By referring to this Illustration he will find the part he wants to be item No. 26. By referring to the Illustration Reference column in the Parts List directly following the illustration he will find the part number listed after item No. 26 to be 194355.

It would also be possible to locate the group which this part was in by referring to the model illustrations in the front part of the book. Here on Figure 5 he will find the Hydraulic Pump and Drive Parts he is looking for with an arrow pointing to it designating that this part can be found in Group 7-2. When the group number has been determined the same procedure of locating the part on the illustration and Parts List in Group 7-2 could be followed as outlined in the previous paragraph.

- (3) If the part number of the drive shaft required is known to be 194355 the number can simply be looked up in the Numerical Index on Page 90. Here again he will find the part he is looking for can be found on Page 67.

It is felt that by careful study of the instructions and examples outlined above and then by putting them to practice when using the book that you will find this Parts Book extremely simple to use as well as concise and complete in every way.

MODEL INDEX

<u>Model No.</u>	<u>Description</u>	<u>Group No.</u>
19-7	Dearborn Standard Manure & Material Loader (Prior)	1,2,3,5,8
19-8	Dearborn Heavy Duty Manure & Material Loader (Prior)	1,2,3,6,7,8
19-8A	Dearborn Heavy Duty Manure & Material Loader (Prior)	1,2,3,6,7,8
19-9	Bucket Assembly, Material Type (Prior)	8
19-9A	Bucket Assembly, Material Type (Prior)	8
19-10	Bucket Assembly, Manure Fork Type (Prior)	8
19-10A	Bucket Assembly, Manure Fork Type (Prior)	8
19-21	Dearborn Standard Loader	1,2,3,5,8,9,10
19-22	Dearborn Heavy Duty Loader	1,2,3,5,6,7,8,9,10
19-23	Dearborn Heavy Duty Loader w/Hydraulic Bucket Control (Prior)	All
19-26	Standard to Heavy Duty Loader Conversion Kit	10
19-27	Standard to Heavy Duty Loader w/Hydraulic Bucket Control . . Conversion Kit (Prior)	Not Serviced
19-28	Hydraulic Bucket Control Attachment Conversion Kit (Prior)	Not Serviced
19-29	Dearborn Rear Mounted Loader	1,3,8
19-31	Bucket Assembly, Material Type	8
19-32	Bucket Assembly, Manure Fork Type	8
19-33	Dearborn Crane Attachment (19-21, 22, 23, 59, 60)	9
19-41	Plate Assembly, Material (19-29, 19-65)	8
19-42	Dearborn Industrial Loader (2N, 9N, 8N Tractors) (Prior) . . .	All
19-43	Bucket (Industrial Loader)	8
19-52	Dearborn Rear End Crane	9
19-53	Dearborn Snow and Grain Bucket (Industrial Loader)	8
19-54	Attachment, Adapter Unit (Industrial Loader)	8
19-59	Dearborn Standard Loader (NAA Tractor)	1,2,3,5,8,9
19-60	Dearborn Heavy Duty Loader (NAA Tractor)	1,2,3,5,6,7,8,9
19-61	Dearborn Industrial Loader (NAA Tractor) (Prior)	All
19-62	Standard Loader Conversion Kit (19-21 to NAA Tractor)	10
19-63	Heavy Duty Loader Conversion Kit (19-22 to NAA Tractor) . . .	10
19-64	Industrial Loader Conversion Kit (19-42 to NAA Tractor)	10
19-65	Dearborn Rear Mounted Loader (NAA Tractor)	1,3,8
19-66	Rear Mounted Loader Conversion Kit (19-29 to NAA Tractor) .	3
19-68	Dearborn Manure Fork (Industrial Loader)	8
19-69	Dearborn Crane Attachment (Industrial Loader)	9
19-70	Dearborn Industrial Loader (2N, 9N, 8N Tractors)	All
19-71	Dearborn Industrial Loader (NAA Tractor)	All
22-53	Dearborn Rear End Crane (Replaced by Model 19-52)	99
23-10	Selec-Trol Valve	5,10

GROUP INDEX

<u>Group No.</u>	<u>Name</u>	<u>Page No.</u>
1	MAIN FRAME ASSEMBLIES	21
1-1	Frame Assembly - Model 19-7 (Prior)	21
1-1A	Sub-Frame Assembly	21
1-1B	Upright Posts and Attachments	22
1-2	Frame Assembly for Model 19-8 (Prior)	24
1-3	Frame Assembly for Model 19-8A (Prior)	25
1-4	Frame Assembly for Models 19-21, 22, 23 (Prior) 59, 60	26
1-5	Frame Assembly for Models 19-42 (Prior), 61 (Prior), 70, 71	27
1-6	Frame Assembly for Models 19-29, 65	29
2	LIFT ARM ASSEMBLIES	30
2-1	Lift Arm Assembly - Model 19-7 (Prior)	30
2-1A	Loading Arm Assembly	30
2-1B	Leveling Rods and Hold-Down	31
2-2	Lift Arm Assembly for Model 19-8 (Prior)	32
2-3	Lift Arm Assembly for Model 19-8A (Prior)	33
2-4	Lift Arm Assembly for Models 19-21, 22, 23, (Prior) 59, 60	34
2-5	Lift Arm Assembly for Models 19-42 (Prior), 61 (Prior), 70, 71	35
3	CYLINDER ASSEMBLIES, LIFT ARM	36
3-1	Cylinder Assembly, Lift Arm for Model 19-7 (Prior)	36
3-2	Cylinder Assembly, Lift Arm for Model 19-8 (Prior)	37
3-3	Cylinder Assembly, Lift Arm for Model 19-8A (Prior)	38
3-4	Cylinder Assembly, Lift Arm for Models 19-21, 22, 23 (Prior) 59, 60	39
3-5	Cylinder Assembly, Lift Arm for Models 19-42 (Prior), 61 (Prior) 70, 71	40
3-6	Hydraulic Booster Assemblies for Models 19-29, 65, 66	42

GROUP INDEX (Cont'd)

<u>Group No.</u>	<u>Name</u>	<u>Page No.</u>
4	CYLINDER ASSEMBLIES, BUCKET CONTROL	45
4-1	Cylinder Assy. Bucket Control for Model 19-23 (Prior)	45
4-2	Cylinder Assy. Bucket Control for Models 19-42 (Prior), 61 (Prior), 70, 71	47
5	HYDRAULIC LINES AND ATTACHMENTS	48
5-1	Hydraulic Lines for Model 19-7 (Prior)	48
5-2	Hydraulic Attachments for Model 19-21	49
5-3	Hydraulic Lines for Model 19-59	50
5-4	Hydraulic Attachments for Models 19-22, 60	52,53
5-5	Hydraulic Attachments for Model 19-23 (Prior)	54,55
5-6	Hydraulic Lines for Models 19-42 (Prior), 61 (Prior), 70, 71	56
6	CONTROL VALVES AND ATTACHMENTS	59
6-1	Control Valve & Attachments for Models 19-8 (Prior) 8A (Prior)	59
6-2	Control Valve & Attachments for Models 19-22, 60	60
6-3	Control Valve for Models 19-23 (Prior), 42 (Prior), 61 (Prior), 70, 71	63
7	HYDRAULIC PUMP AND DRIVE PARTS	65
7-1	Hydraulic Pump and Drive Parts for Models 19-8 (Prior) 8A (Prior)	65
7-2	Hydraulic Pump and Drive Parts for Models 19-22, 23 (Prior), 42 (Prior), 60, 61 (Prior), 70, 71	67,68,69
8	BUCKET ASSEMBLIES, MATERIAL & FORK TYPES	70
8-1	Bucket for Model 19-7 (Prior)	70
8-2	Buckets, Models 19-9, 9A, 10, 10A for Models 19-8 8A (Prior)	71
8-3	Buckets, Models 19-31, 32 for Models 19-21, 22, 23 (Prior) 59, 60	72
8-3A	Bucket Release for Models 19-21, 22, 59, 60	73
8-4	Bucket and 19-41 Material Plate for Models 19-29, 65	74
8-5	Bucket, Model 19-43 & Dearborn Snow and Grain Bucket, Model 19-53 for Models 19-42 (Prior), 61 (Prior), 70, 71	75

GROUP INDEX (Cont'd)

<u>Group No.</u>	<u>Name</u>	<u>Page No.</u>
8-6	Dearborn Manure Fork, Model 19-68 for Models 19-42 (Prior), 61 (Prior), 70, 71	76
9	CRANES AND ADAPTER UNIT ATTACHMENT	
9-1	Dearborn Crane Attachment, Model 19-33 for Models 19-21, 22, 23 (Prior), 59, 60	77
9-2	Dearborn Rear End Crane, Models 22-53 (Prior) and 19-52 for all Tractors	78
9-3	Attachment, Adapter Unit, Model 19-54 and Dearborn Crane Attachment, Model 19-69 for Models 19-42 (Prior), 61 (Prior), 70, 71	80
10	KITS	81
10-1	Standard to Heavy Duty Loader Conversion Kit, Model 19-26 for Model 19-21 to 19-22	81,82
10-2	Fender Bracket Kit for Models 19-42 (Prior), 61 (Prior), 70, 71	83
10-3	Kits for Conversion to NAA Tractor	85
	Standard Loader Conversion Kit, Model 19-62 for Model 19-21 to NAA Tractor	85
	Heavy Duty Loader Conversion Kit, Model 19-63 for Model 19-22 to NAA Tractor	85
	Industrial Loader Conversion Kit, Model 19-64 for Models 19-42 (Prior), 70, to NAA Tractor	85

ILLUSTRATION INDEX

<u>Figure No.</u>	<u>Name</u>	<u>Page No.</u>
1	Dearborn Standard Manure & Material Loader, Model 19-7 (Prior)	13
2	Dearborn Heavy Duty Manure & Material Loader, Model 19-8 (Prior)	14
3	Dearborn Heavy Duty Manure & Material Loader, Model 19-8A (Prior)	15
4	Dearborn Standard Loader, Models 19-21, 59	16
5	Dearborn Heavy Duty Loader, Models 19-22, 60	17
6	Dearborn Heavy Duty Loader, w/Hydraulic Bucket Control, Model 19-23' (Prior)	18
7	Dearborn Industrial Loader, Models 19-42(Prior),61 (Prior),70,71	19
8	Dearborn Rear Mounted Loader, Models 19-29, 65	20
9	Sub-Frame Assembly	21
10	Upright Posts and Attachments	22
11	Frame Assembly for Model 19-8 (Prior)	24
12	Frame Assembly for Model 19-8A (Prior)	25
13	Frame Assembly for Models 19-21, 22, 23 (Prior) 59, & 60	26
14	Frame Assembly for Models 19-42 (Prior), 61 (Prior), 70,71	27
15	Frame Assembly for Models 19-29, 65	28
16	Loading Arm Assembly for Model 19-7 (Prior)	30
17	Leveling Rods and Hold-down Assembly for Model 19-7 (Prior)	31
18	Lift Arm Assembly for Model 19-8 (Prior)	32
19	Lift Arm Assembly for Model 19-8A (Prior)	33
20	Lift Arm Assembly for Models 19-21, 22, 23 (Prior) 59, & 60	34
21	Lift Arm Assembly for Model 19-42 (Prior), 61 (Prior), 70, 71	35
22	Cylinder Assembly, Lift Arm for Model 19-7 (Prior)	36
23	Cylinder Assembly, Lift Arm for Model 19-8 (Prior)	37
24	Cylinder Assembly, Lift Arm for Model 19-8A (Prior)	38
25	Cylinder Assembly, Lift Arm for Models 19-21, 22, 23 (Prior),59, & 60	39
26	Cylinder Assembly, Lift Arm for Models 19-42 (Prior), 61 (Prior),70, 71	40
27	Hydraulic Booster Assemblies for Models 19-29, 65, 66	42
28	Cylinder Assembly, Bucket Control for Model 19-23 (Prior)	44
29	Cylinder Assembly, Bucket Control for Models 19-42 (Prior), 61 (Prior), 70, 71	46
30	Hydraulic Lines for Model 19-7 (Prior)	48
31	Hydraulic Attachments for Model 19-21	49
32	Hydraulic Lines for Model 19-59	50
33	Hydraulic Attachments for Models 19-22, 60	52

ILLUSTRATION INDEX (Cont'd)

<u>Figure No.</u>	<u>Name</u>	<u>Page No.</u>
34	Hydraulic Attachments for Model 19-23 (Prior)	54
35	Hydraulic Lines for Models 19-42 (Prior), 61 (Prior), 70,71	56
36	Control Valve & Attachment for Models 19-8 (Prior) 8A (Prior)	58
37	Control Valve and Attachments for Models 19-22, 60	60
38	Control Valve for Models 19-23 (Prior), 42 (Prior), 61 (Prior), 70, 71	62
39	Hydraulic Pump and Drive Parts for Models 19-8 (Prior), 8A (Prior)	64
40	Hydraulic Pump and Drive Parts for Models 19-22, 23 (Prior), 42 (Prior), 60, 61 (Prior), 70, 71	66
41	Bucket for Model 19-7 (Prior)	70
42	Buckets, Models 19-9, 9A, 10, 10A for Models 19-8 (Prior), 8A (Prior)	71
43	Buckets, Models 19-31, 32 for Models 19-21, 22, 23 (Prior), 59, 60	72
44	Bucket Release for Models 19-21, 22, 59, 60	73
45	Bucket for Models 19-29, 65	74
46	Bucket, Model 19-43 and Dearborn Snow Bucket, Model 19-53 for Models 19-42 (Prior), 61 (Prior), 70, 71	75
47	Dearborn Manure Fork, Model 19-68 for Models 19-42 (Prior), 61 (Prior), 70, 71	76
48	Dearborn Crane Attachment Model 19-33	77
49	Dearborn Rear End Crane, Models 22-53 (Prior) and 19-52	78
50	Attachment, Adapter Unit, Model 19-54 and Dearborn Crane Attachment, Model 19-69	79
51	Standard to Heavy Duty Loader Conversion Kit, Model 19-26	80
52	Fender Bracket Kit	83
53	Loader Conversion Kits	84

ALPHABETHICAL INDEX (Cont'd)

PART NAME	GROUP NO.	PART NAME	GROUP NO.
ADAPTER, Hydraulic Hose	1-2,3; 3-6; 4-1,2; 5-1,2,3,4,5; 7-1,2; 10-1,3A	CLAMP, Cable	1-1B
ANGLE, Pump Mounting	7-2, 10-1	CLAMP, Hose w/Screw	5-4, 6; 6-1;7-1,2;10-1
ARM ASSEMBLY, Loader	2-4	CLAMP, Pipe	5-3;10-3A
ARM ASSEMBLY, Upper Control	1-6	CLEVIS, Chain to Control Lever	1-1B
ARM, Height Adjusting	2-1A	CLIP, Tube	3-6
ARM, Lift	9-2	COLLAR, Trunnion Shaft	2-4
ARM, Loader	2-1A, 2-5	CONNECTOR, Oil Line	3-6;5-1,2
ARM, Lower Control	1-6	COUPLING ASSEMBLY	7-1, 2
ATTACHMENT, Adapter Unit	9-3	COUPLING, Reducing	4-1, 2; 5-6
		COUPLING, Straight	3-6
		COVER, Pump	-7-2
-B-		CRADLE, Bucket	1-6
BALL, Steel, Detent	10-3A	CROSSMEMBER, Nose	1-1A
BAR, Bucket Return	8-1	CUP, Piston	4-1, 2
BAR, Latch Control	2-2,3;8-3A	CYLINDER ASSEMBLY, Bucket Control	4-1, 2
BARREL & PISTON ASSEMBLY	6-3	CYLINDER ASSEMBLY, Hydraulic Booster	3-6
BEARING, Drive Shaft	7-2	CYLINDER ASSEMBLY, Hydraulic Hoist	3-3, 4, 5
BLOCK, Drive Shaft	7-2	CYLINDER, Bucket Control	4-1, 2
BLOCK, Rubber	7-1;10-3B,10-3C	CYLINDER, Hydraulic Hoist	3-1, 2, 3, 4, 5
BODY, Pump	7-2		
BOLT, Cylinder	3-3	-D-	
BOLT, Drive Sheave	7-1	DECAL, Implement	2-5; 9-2, 3
BOLT, Hub to Sheave	10-1		
BOLT, Sheave to Crankshaft	10-1	-E-	
BOLT, Valve to Mounting Plate	10-1	ELBOW, Pipe	5-6; 7-2; 10-1
BONNET, Spring	6-3	ELL, Street	3-6; 5-3, 4, 5, 6 6-1; 7-1, 2; 10-1
BOOM, Crane	9-1,2		
BOX, Stuffing	3-3,4,5	-F-	
BRACE, Cross	1-1B	FITTING, "Y"	5-1; 7-1
BRACE, Lifting Strut Cross	1-6	FLANGE ASSEMBLY	7-1, 2
BRACE, Post and Base	1-1B	FLANGE, Coupling	7-1
BRACKET, Axle Mounting	1-4,10-3A,1-3B	FOLLOWER & BALL ASSEMBLY	6-2
BRACKET, Cylinder	3-6	FOLLOWER, Piston	6-3
BRACKET, Cylinder Mounting	4-1	FRAME ASSEMBLY, Upper Link	1-6
BRACKET, Keeper	5-2	FRAME, Main	1-4, 5
BRACKET, Lever	6-3	FRAME WITH LOADER ARM ASSEMBLY	1-2, 3
BRACKET, Lever Mounting	6-3		
BRACKET, Pipe to Tractor	5-1,2	-G-	
BRACKET, Stabilizer	1-1A	GASKET, Adapter	3-6, 6-3
BUCKET ASSEMBLY	8-1,2,3,4,5	GASKET, Cap	6-2, 3
BUMPER, Loader	1-4,5;10-1	GASKET, Valve Cup	6-1
BUSHING, Block	7-2	GLAND, Packing Aluminum	4-1, 2
BUSHING, Reducing	5-1, 6;7-1,2;10-1	GLAND, Packing Nut Wiper	3-4, 5
-C-		-H-	
CABLE, Trip Lever to Handle	1-1B	HANDLE, Trip	1-1B
CAP, Air Filter	1-5	HANGER, Main Pipe	3-6
CAP, Pipe	1-2,4	HEAD, Ram	4-1, 2
CAP, Relief Valve	6-2	HITCH, Implement Attaching	3-6
CAP, Spool	6-2	HOIST ASSEMBLY	3-1
CAP, Valve	6-1,3	HOLDDOWN, Lift Link	2-1B
CAPSCREW, Pump	7-2		
CAPSCREW, Sheave	7-2		
CHAIN, Attaching Strap	3-6		
CHAIN, Post and Base	1-1B		
CLAMP ASSEMBLY	4-1;5-4,5;10-1		

ALPHABETHICAL INDEX (Cont'd)

PART NAME	GROUP NO.	PART NAME	GROUP NO.
ROTOR, Pump	7-2	TEE, Tubing	3-6
		TINE, Bucket	8-4
-S-		TINE, Manure Fork	8-6
SCREEN, Strainer	7-1	TUBE ASSEMBLY	3-6
SEAL ASSEMBLY, Oil	6-3		
SEAL, Drive Shaft Bearing	7-2	-U-	
SEAL, Oil	6-2,3;7-1,2;10-3A	U-BOLT, Bumper	1-4,5;10-1
SELEC-TROL, Valve	5-3;10-3A	U-BOLT, Mounting Plate	5-4,5
SET SCREW, Coupling Flange	7-1	U-BOLT and PLATE ASSEMBLY	2-2
SHAFT, Cross	9-1	U-BOLT, Release Lever	2-2;8-3A
SHAFT, Cylinder	3-1,2,3	UNION, Pipe	5-4,5,6;6-1;10-1
SHAFT, Drive	7-1,2;10-1,3C		
SHAFT and LATCH, Trip	8-1	-V-	
SHAFT, Piston	3-4,5,6;4-1,2	VALVE ASSEMBLY, Control	5-5;6-1,2,3;10-1
SHAFT, Trunnion, Lift Arm	2-4	VALVE ASSEMBLY, Needle	5-1
SHEAVE, Drive	7-1,2;10-1	VALVE ASSEMBLY, Shut-Off	5-2
SIDE MEMBER and CROSS BRACE	1-1A	VALVE, Pump	5-1
SLEEVE, Bucket	8-3	VALVE, Relief	5-2
SLEEVE, Detent Ball	10-3A	VANE, Rotor	7-2
SLEEVE, Ram Head	4-1		
SLIDE, Relief Valve	6-2	-W-	
SPACER, Pipe	1-6	WASHER, Back-Up	3-6
SPACER, Piston Cup	4-1,2	WASHER, Piston Cup	4-1,2
SPACER, Spool	6-2,3	WASHER, Pump	7-2
SPRING, Check Valve	6-2	WASHER, Shaft	2-4
SPRING, Control Valve	6-1	WASHER, Sheave	7-1
SPRING, Latch Pin	2-2,3,8-3A	WASHER, Spool	6-2,3;10-3A
SPRING, Latch & Trip Lever	8-1	WASHER, Tension	7-1,2
SPRING, Pressure Plate	7-2	WIPER, Packing Nut	3-2,3,4,5,6;4-1,2
SPRING, Relief	6-2,3	WRENCH, Packing Nut	3-2
SPRING, Return	1-6		
SPRING, Spool	6-2,3	-Y-	
SPRING, Tension	10-3A	YOKE, Cylinder	4-1,2
STOP, Shaft	3-3,4,5	YOKE & GUSSET ASSEMBLY	8-3
STRAINER ASSEMBLY	7-1	YOKE, Latch	1-6
STRUT, Lifting	1-6	YOKE, Rod End	2-1B
-T-			
TEE, 3/8 Pipe	3-6,5-2,3,4,5;6-1,10-1		

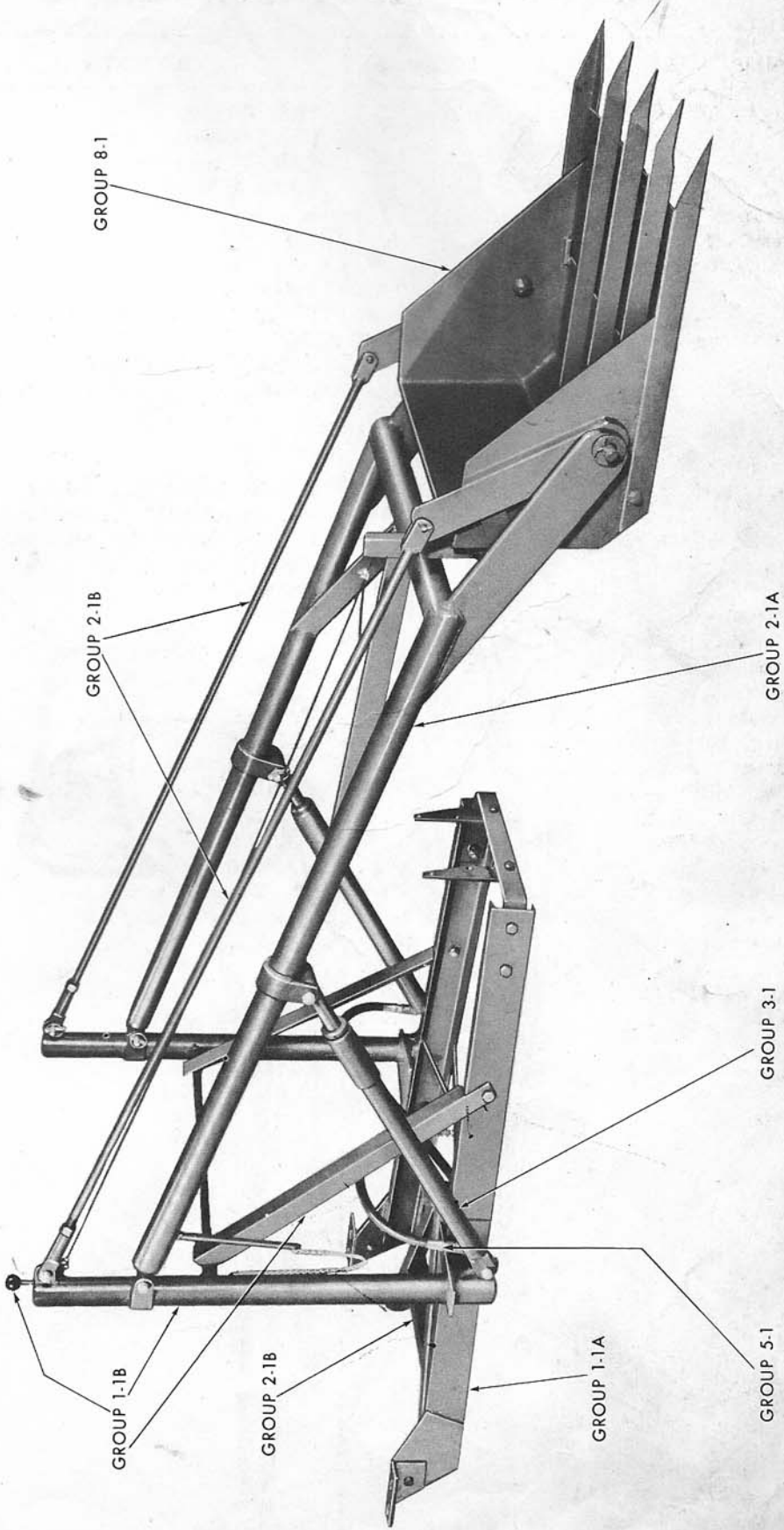


Figure 1 - Dearborn Standard Manure and Material Loader, Model 19-7 (Prior)

DEARBORN *Loaders*

MODEL 19-8 (Prior)

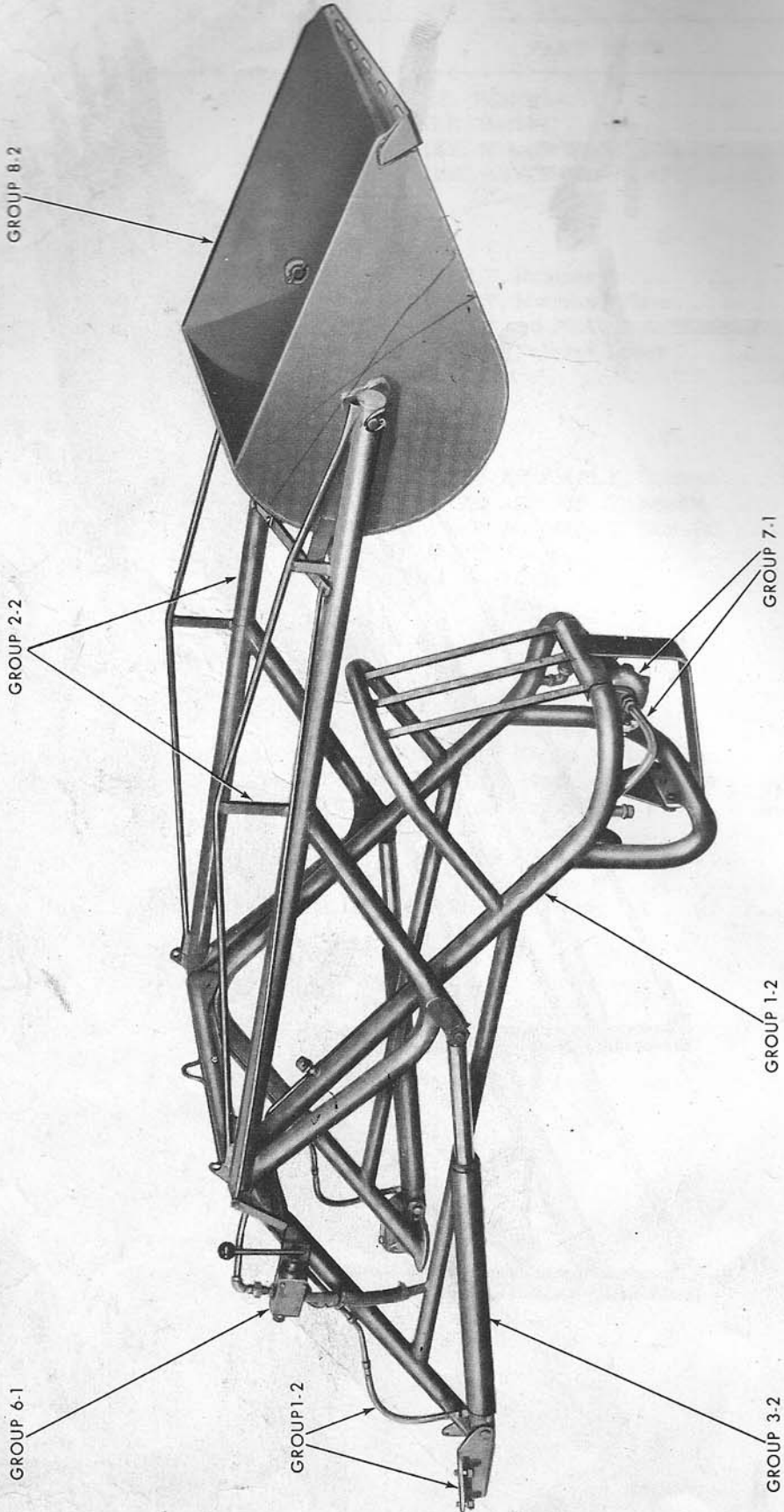


Figure 2 - Dearborn Heavy Duty Manure and Material Loader, Model 19-8 (Prior)

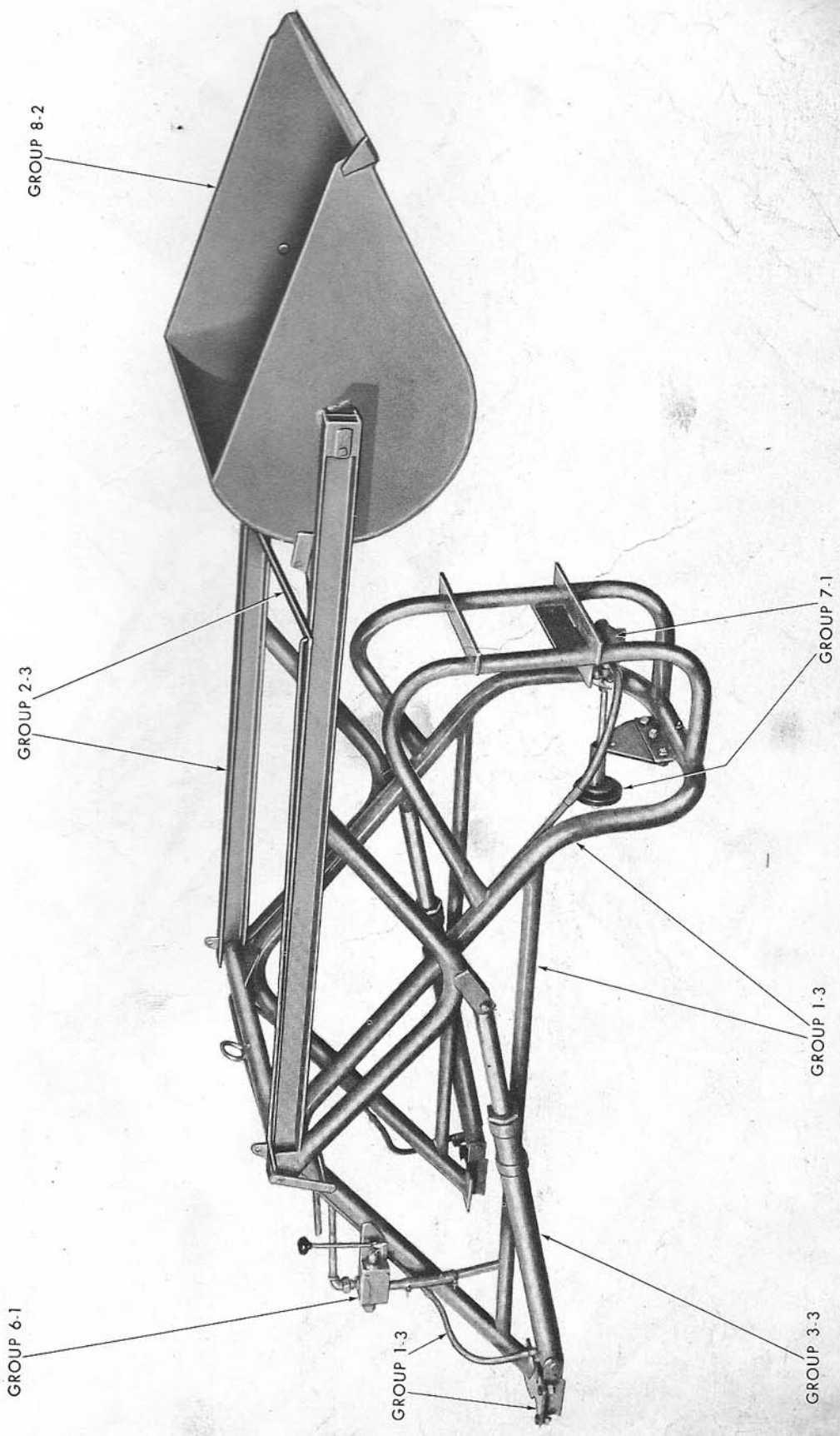
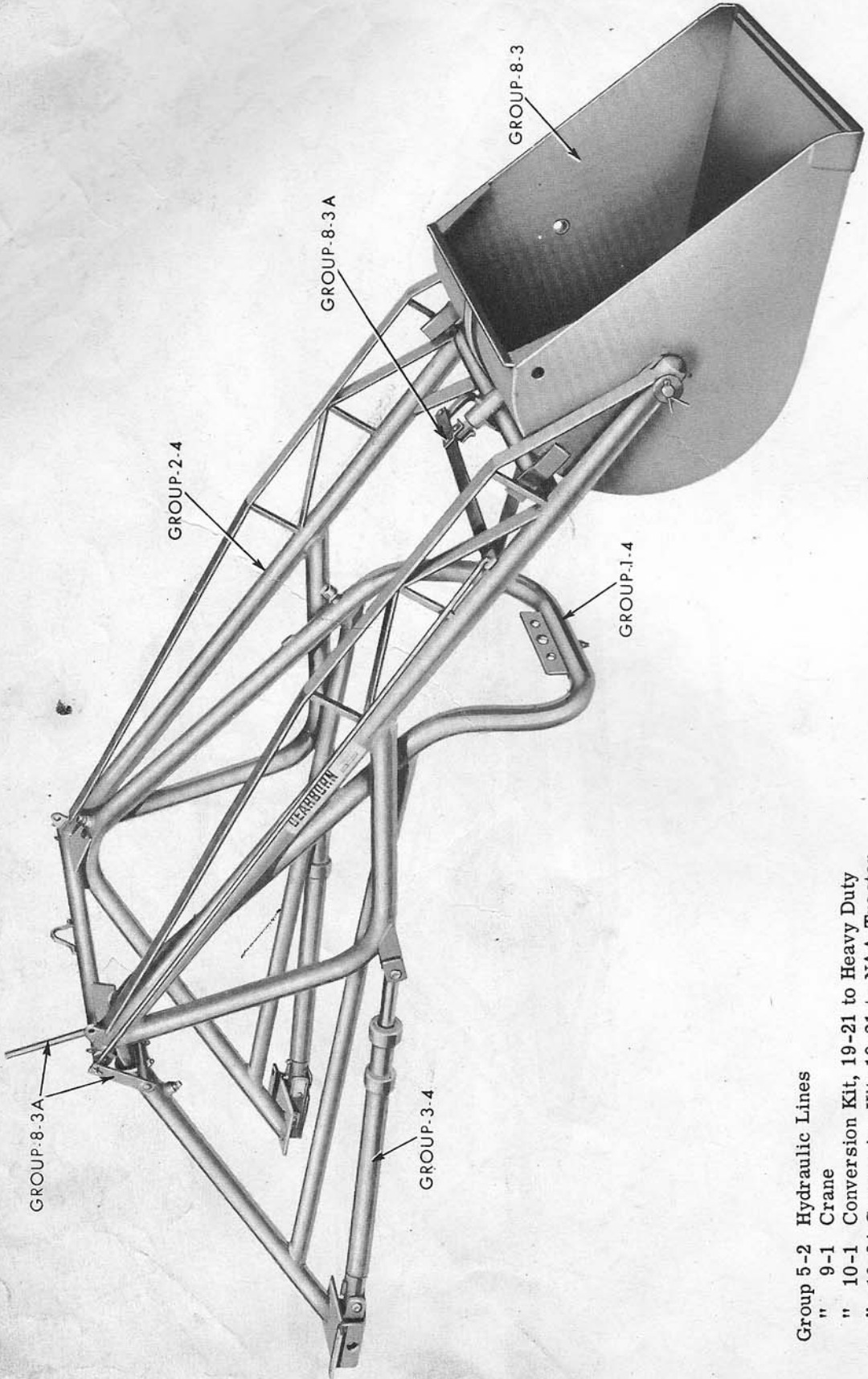


Figure 3 - Dearborn Heavy Duty Manure and Material Loader, Model 19-8A (Prior)

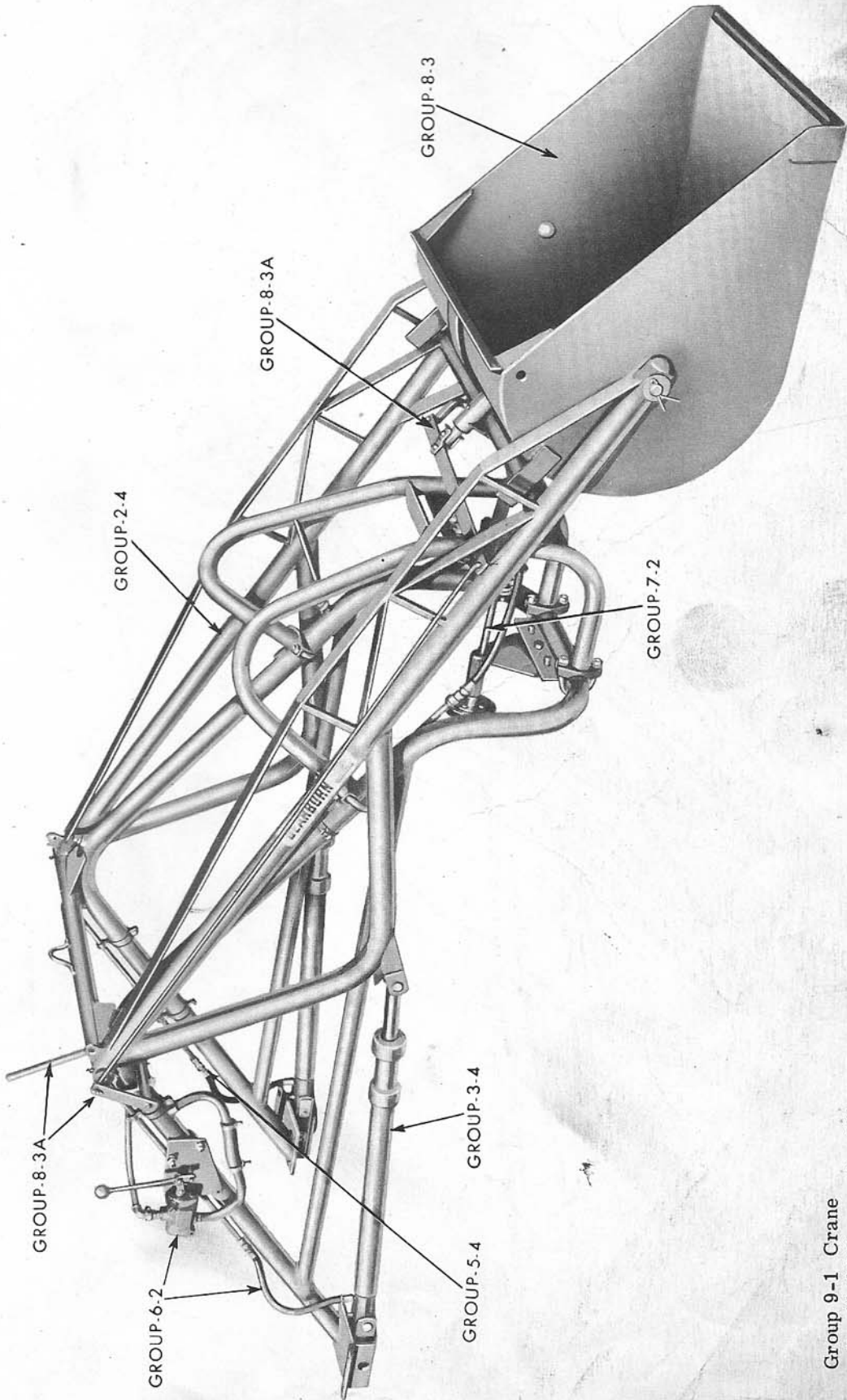


- Group 5-2 Hydraulic Lines
- " 9-1 Crane
- " 10-1 Conversion Kit, 19-21 to Heavy Duty
- " 10-3A Conversion Kit, 19-21 to NAA Tractor

Figure 4 - Dearborn Standard Loader, Models 19-21, 59

DEARBORN *Loaders*

MODELS 19-22, 60



Group 9-1 Crane
" 10-3B Conversion Kit,
19-22 to NAA Tractor

Figure 5 - Dearborn Heavy Duty Loader. Models 19-22, 60

DEARBORN *Loaders*

MODEL 19-23 (Prior)

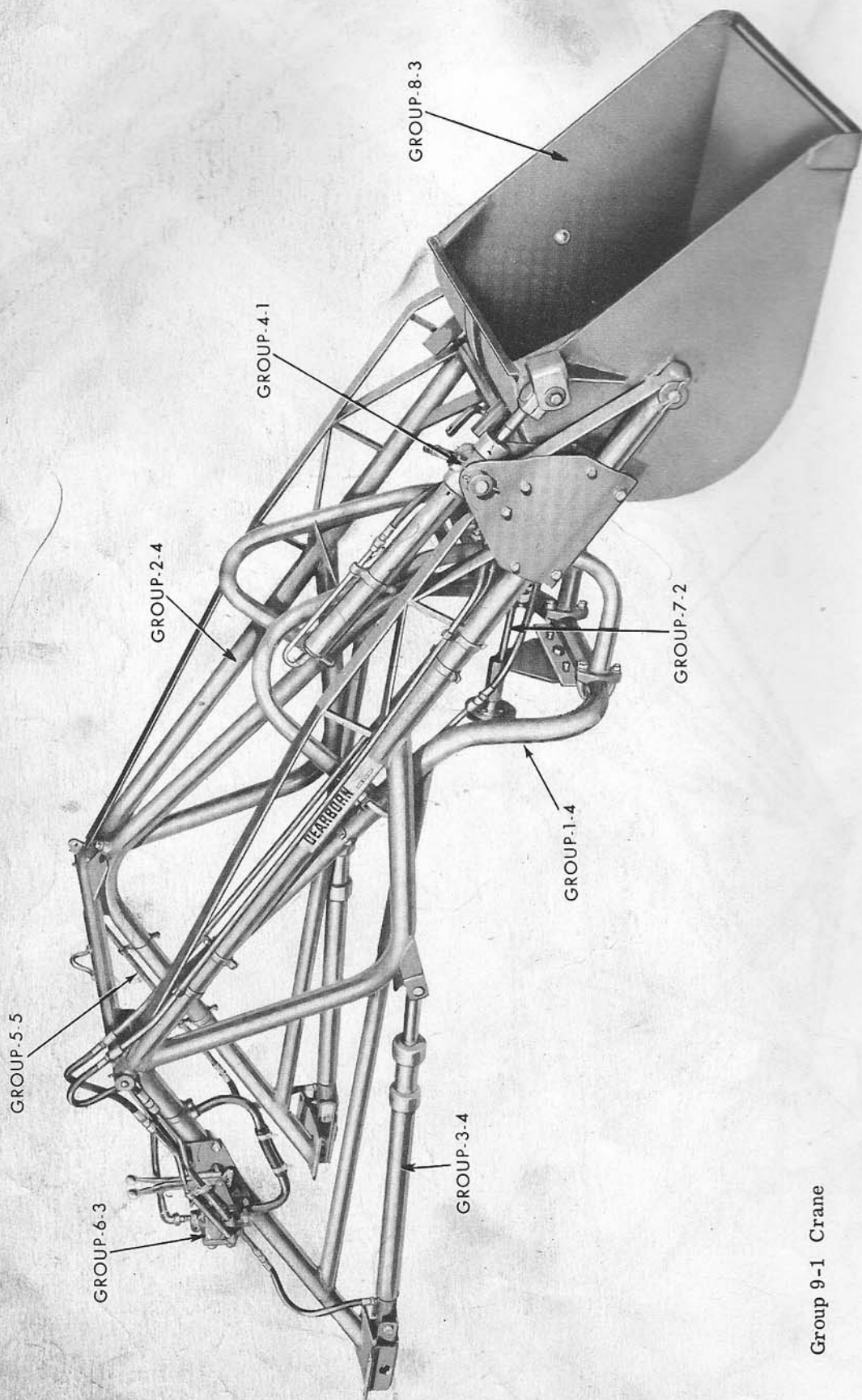
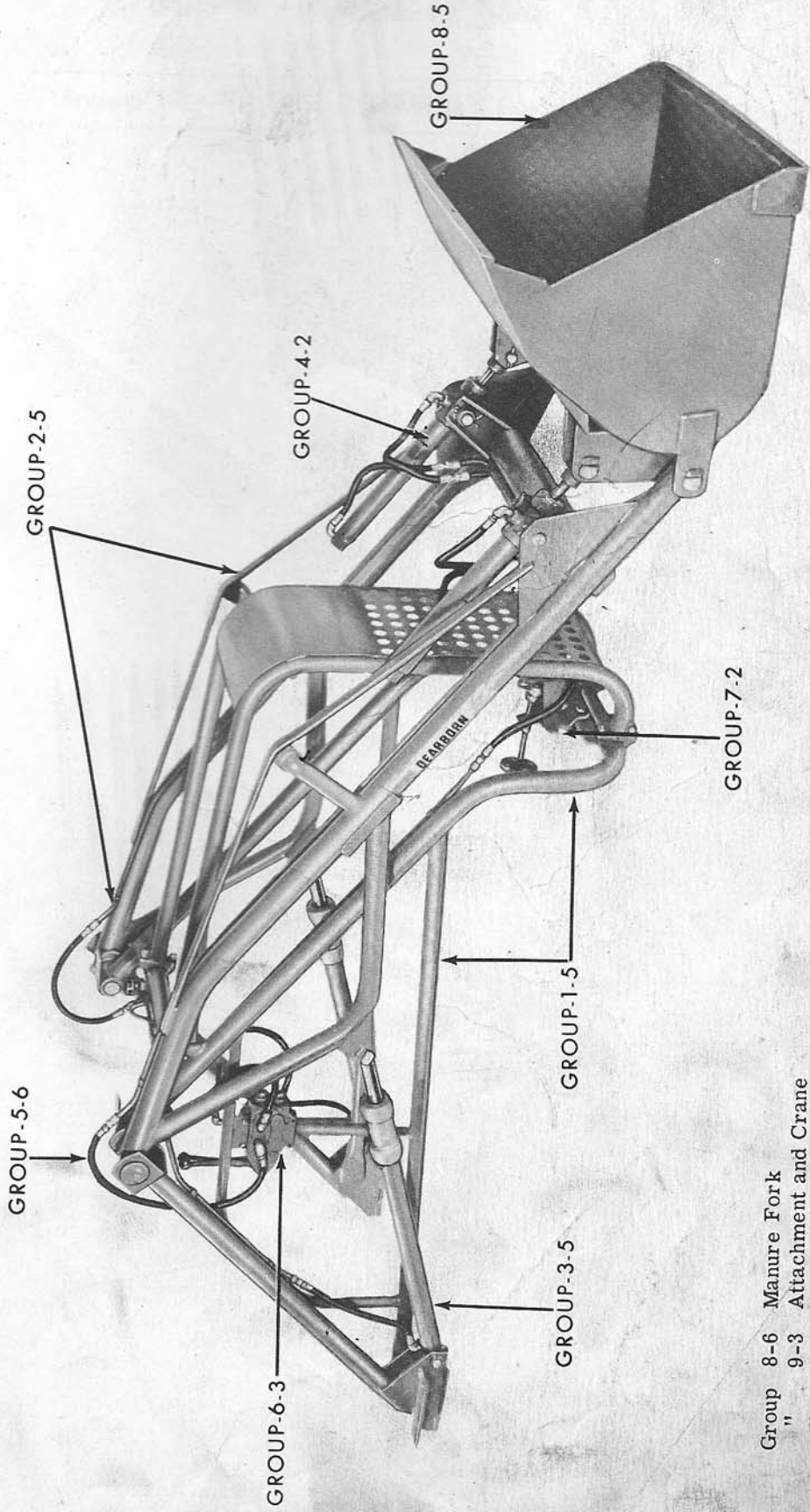


Figure 6 - Dearborn Heavy Duty Loader w/Hydraulic Bucket Control, Model 19-23 (Prior)

Group 9-1 Crane

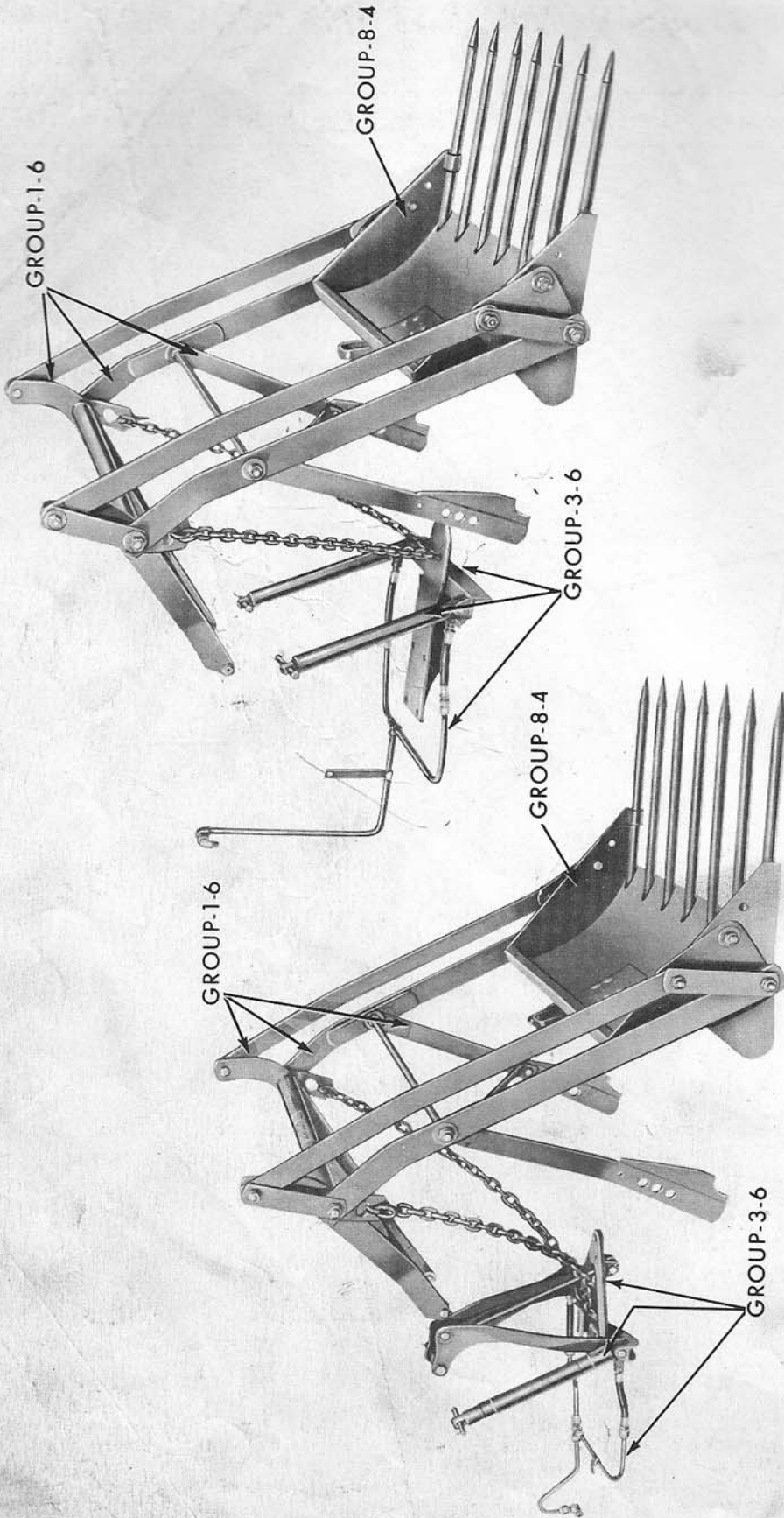
DEARBORN *Loaders*

MODELS 19-42 (Prior), 61 (Prior), 70, 71



- Group 8-6 Manure Fork
- " 9-3 Attachment and Crane
- " 10-2 Fender Bracket Kit
- " 10-3C Conversion Kit, 19-42 (Prior), 70, to NAA Tractor

Figure 7 - Dearborn Industrial Loader, Models 19-42 (Prior), 61 (Prior), 70, 71 - (Model 19-71 Shown)



NEW

OLD

Figure 8 - Dearborn Rear Mounted Loader, Models 19-29, 19-65

Group 1—MAIN FRAME ASSEMBLIES

Group 1-1—FRAME ASSEMBLY For Model 19-7 (Prior)

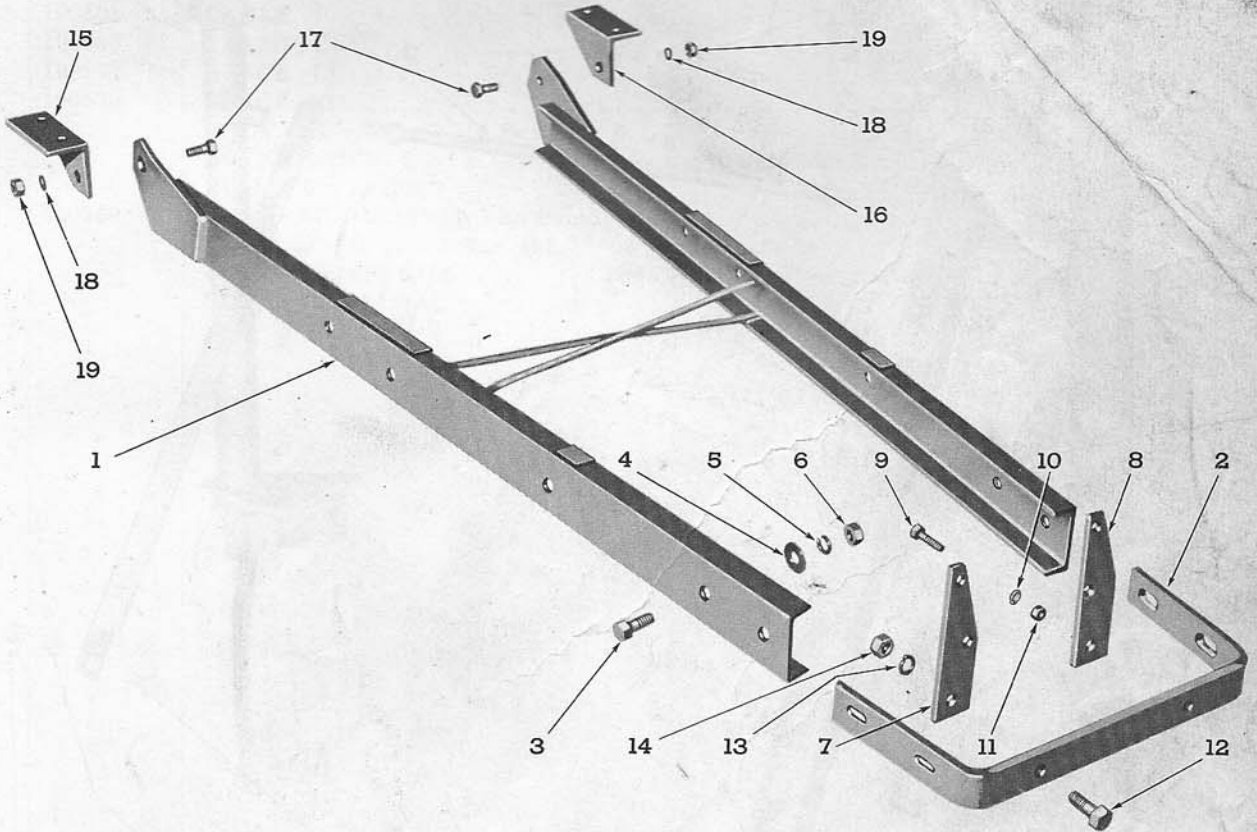


Figure 9 - Sub - Frame Assembly

FIG. 9	PART NO.	NAME AND DESCRIPTION	QTY. REQ.
Group 1-1A—SUB-FRAME ASSEMBLY			
1	190541	SIDE MEMBER and CROSS BRACE (Welded Assembly)	1
2	190550	CROSSMEMBER, Nose	1
3		BOLT, 5/8 - 18 x 1-1/2 Hex. Hd.	} Nose Member to Side Member
4		WASHER, 5/8 Plain	
5		LOCKWASHER, 5/8	
6		NUT, 5/8 - 18 Hex	
7	190551	PLATE, Attachment, RH	1
8	190552	PLATE, Attachment, LH	1
9		BOLT, 7/16 - 20 x 1-3/4 Hex. Hd.	} Plate to Tractor
10		LOCKWASHER, 7/16	
11		NUT, 7/16 - 20 Hex.	
12		BOLT, 5/8 - 18 x 1-5/8 Hex. Hd.	
13		LOCKWASHER, 5/8	} Plate to Nose Member
14		NUT, 5/8 - 18 Hex.	
15	190693	BRACKET, Stabilizer, RH	
16	190694	BRACKET, Stabilizer, LH	1
17		BOLT, 5/8 - 18 x 1-5/8 Hex. Hd.	} Bracket to Side Member
18		LOCKWASHER, 5/8	
19		NUT, 5/8 - 18 Hex.	

DEARBORN *Loaders*

MODEL 19-7 (Prior)

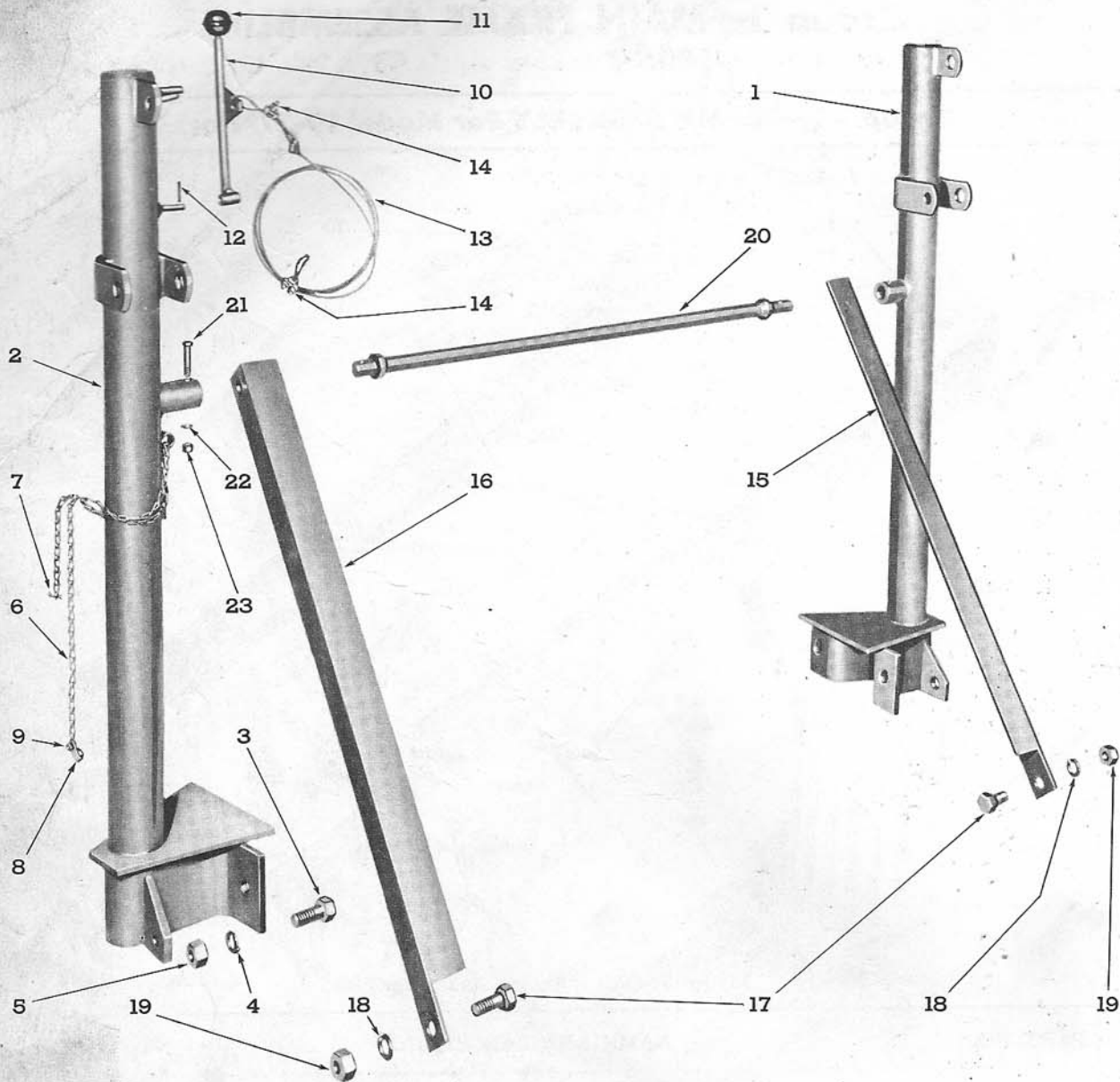


Figure 10 - Upright Posts and Attachments

FIG. 10	PART NO.	NAME AND DESCRIPTION	QTY. REQ.
Group 1-1B—UPRIGHT POSTS AND ATTACHMENTS			
1	190668	POST and BASE (Welded Assembly) LH.	1
2	190669	POST and BASE (Welded Assembly) RH.	1
3		BOLT, 5/8 - 18 x 1-1/2 Hex. Hd.	} Post to Side Member
4		LOCKWASHER, 5/8	
5		NUT, 5/8 - 18 Hex.	
6	190672	CHAIN	1
7		COTTER PIN, 1/8 x 1-1/2 - Chain	1
8	190673	CLEVIS, Chain to Hydraulic Control Lever	1
9		BOLT, 1/8 - 40 x 1/2 Sq. Hd.	} Clevis to Chain
--		NUT, 1/8 - 40 Sq.	

DEARBORN *Loaders*

MODEL 19-7 (Prior)

FIG. 10	PART NO.	NAME AND DESCRIPTION	QTY. REQ.
Group 1-1B—UPRIGHT POSTS AND ATTACHMENTS (Cont'd)			
10	190952	HANDLE, Trip (Welded Assembly) 1/2 - 16 x 9.	1
11	190708	KNOB, Trip Handle, 1/2 - 16 Thd. (Used with Trip Handle with 16 Thd.)	1
11	190657	KNOB, Trip Handle, 1/2 - 24 Thd. (Used with Trip Handle with 24 Thd.)	1
12		COTTER PIN, 1/8 x 1 - Handle to Post	1
13	190651	CABLE, Trip Lever to Handle	1
14	190950	CLAMP, Cable, 1/8	2
15	190571	BRACE, LH.	1
16	190572	BRACE, RH.	1
17		BOLT, 5/8 - 18 x 1-3/8 Hex. Hd. }	
18		LOCKWASHER, 5/8 } Brace to Side Member	2
19		NUT, 5/8 - 18 Hex. }	
20	190568	CROSS BRACE (Welded Assembly)	1
21		BOLT, 5/16 - 24 x 2 Hex. Hd. }	
22		LOCKWASHER, 5/16 } Cross Brace to Post	2
23		NUT, 5/16 - 24 Hex. }	

DEARBORN *Loaders*

MODEL 19-8 (Prior)

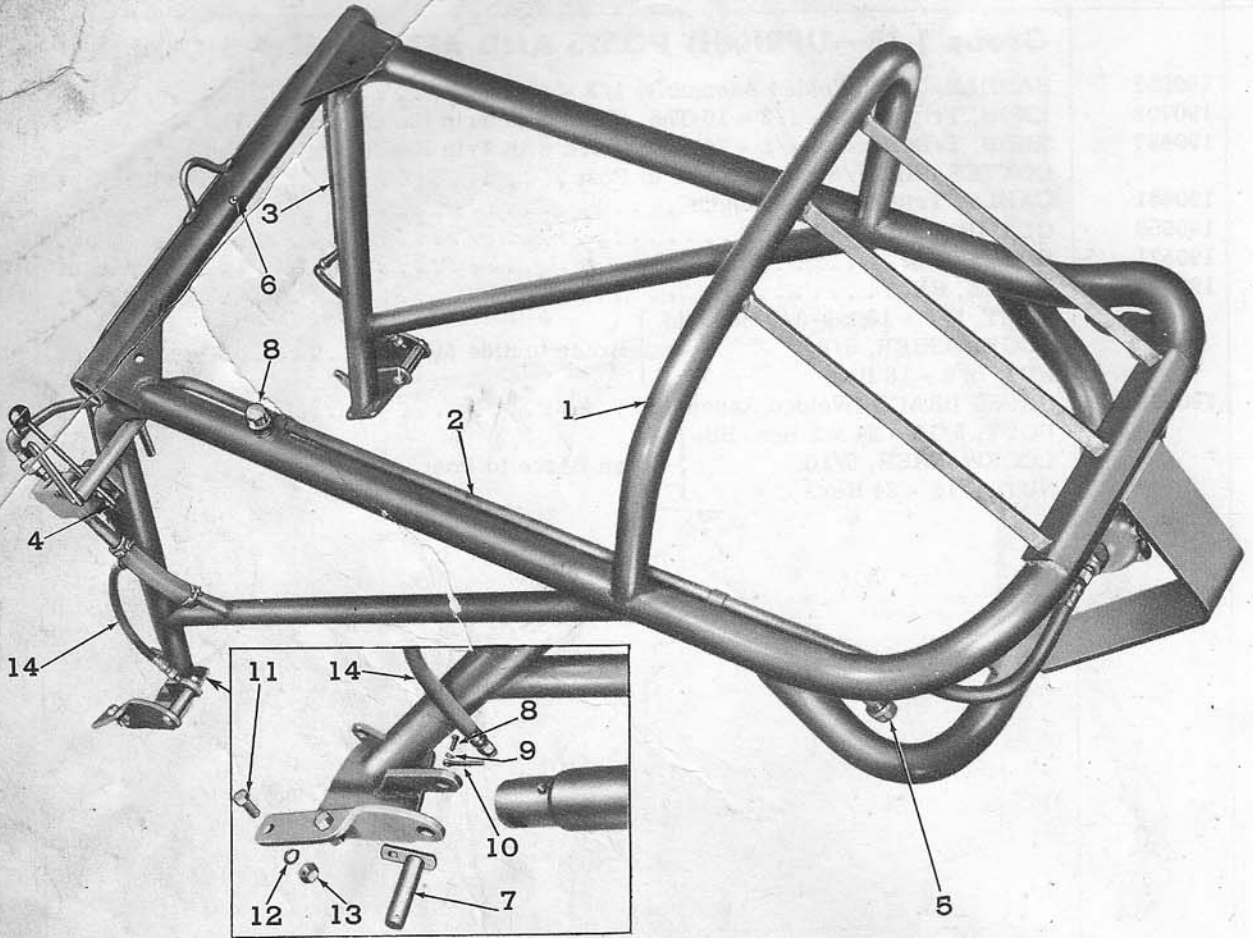


Figure 11 - Frame Assembly for Model 19-8 (Prior)

FIG. 11	PART NO.	NAME AND DESCRIPTION	QTY. REQ.
Group 1-2—FRAME ASSEMBLY For Model 19-8 (Prior)			
1		FRAME, Main (Welded Assembly)	1
		Consists of Welded Frame which is not recommended for service.	
2	190270	PIPE, Pump to Valve, 1/2 x 69	1
3	190269	PIPE, U Shape, 3/8 x 77-1/2	1
4	190267	PIPE, Straight, 3/8 x 9-1/2	1
5	190276	CAP, Pipe - Oil Filler and Outlet	2
6		FITTING, Lube, 1/8 x 3/4 - Trunnion Pivot Tube	1
7	190377	PIN and CLIP, Cylinder attaching	4
8		BOLT, 5/16 - 18 x 3/4 Hex. Hd. } Pin to Cylinder to Frame	4
9		LOCKWASHER, 5/16	
10		COTTER PIN, 5/16 x 2	
11		BOLT, 5/8 - 11 x 1-3/4 Hex. Hd. } Fender to Mtg. Bracket	4
12		LOCKWASHER, 5/8	
13		NUT, 5/8 - 11 Hex.	
14	192114	HOSE, Hydraulic, 3/8 x 18 (Equalizer Pipe to Cylinder)	2
-	192115	ADAPTER, Hose Equalizer Pipe to Cylinder	2

DEARBORN *Loaders*

MODEL 19-8A (Prior)

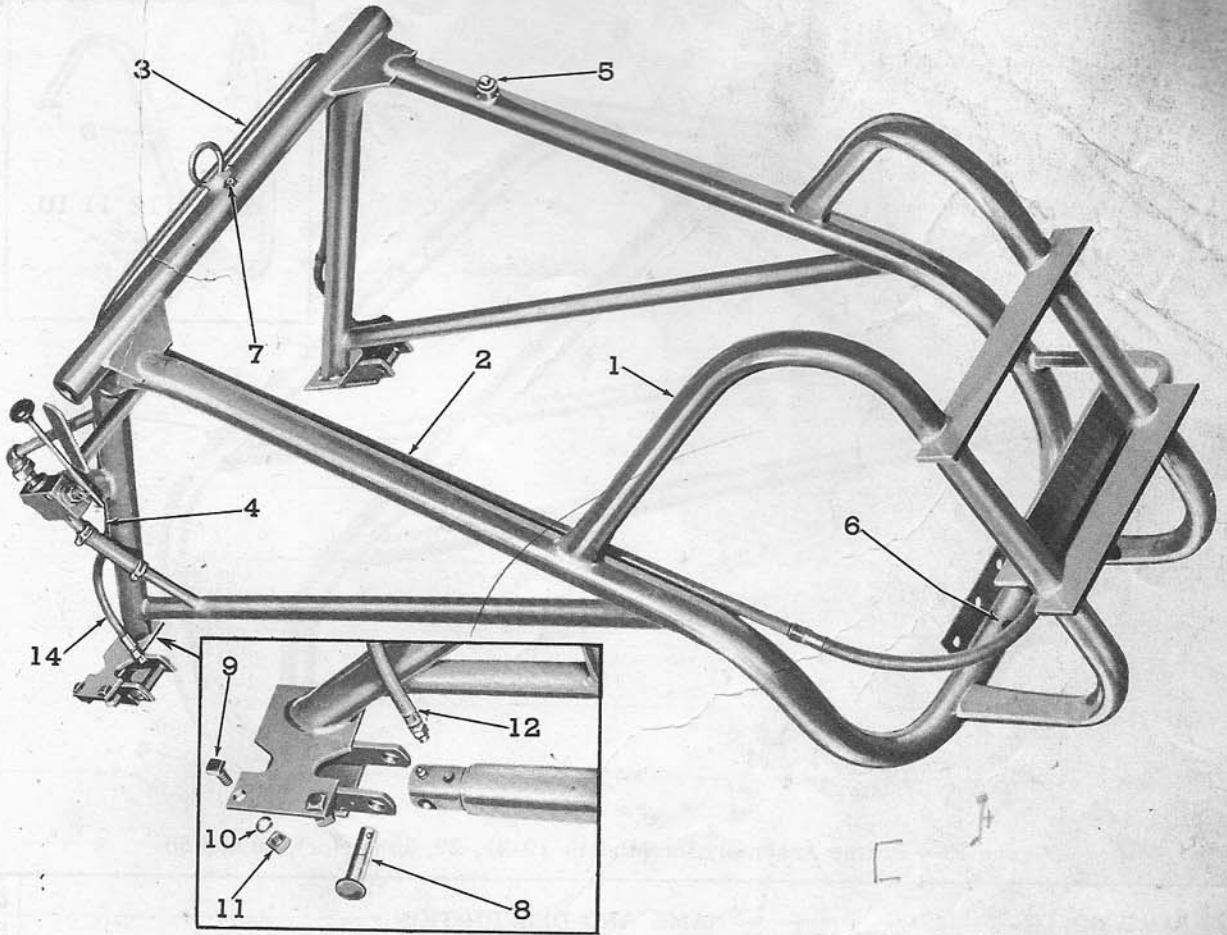


Figure 12 - Frame Assembly for Model 19-8A (Prior)

FIG. 12	PART NO.	NAME AND DESCRIPTION	QTY. REQ.
		Group 1-3—FRAME ASSEMBLY For Model 19-8A (Prior)	
1		FRAME, Main, (Welded Assembly)	1
		Consists of Welded Frame which is not recommended for service.	
2	190388	PIPE, Pump to Valve, 1/2 x 66	1
3	190391	PIPE, U Shape, 3/8 x 73-3/4	1
4	304378	PIPE, Straight, 3/8 x 10	1
5		PLUG, Pipe, 3/4, Sq. Hd. - Oil Filler	1
6	358039-S	PLUG, Pipe, 3/8, Sq. Hd. - Drain	1
-	190488	PLUG, Pipe, 1/8, Sq. Hd. - Air Vent	1
7		FITTING, Lube, 1/8 x 3/4 - Trunion Pivot Tube	1
8	192544	PIN, Rivet, 1 x 4-1/2 - Cylinder Attaching	2
-		WASHER, Flat	
-		COTTER PIN, 5/16 x 2 } Pin to Cylinder to Frame	2
9		BOLT, 5/8 - 11 x 1-1/2 Sq. Hd. } Fender to Mtg. Bracket	4
10		LOCKWASHER, 5/8	
11		NUT, 5/8 - 11 Sq	
12	192114	HOSE, Hydraulic, 3/8 x 18 (With Couplings) Equalizer Pipe to Cylinder	2
-	192115	ADAPTER, Hose, Equalizer Pipe to Cylinder	2

DEARBORN *Loaders*

MODELS 19-21, 22, 23 (Prior), 59 and 60

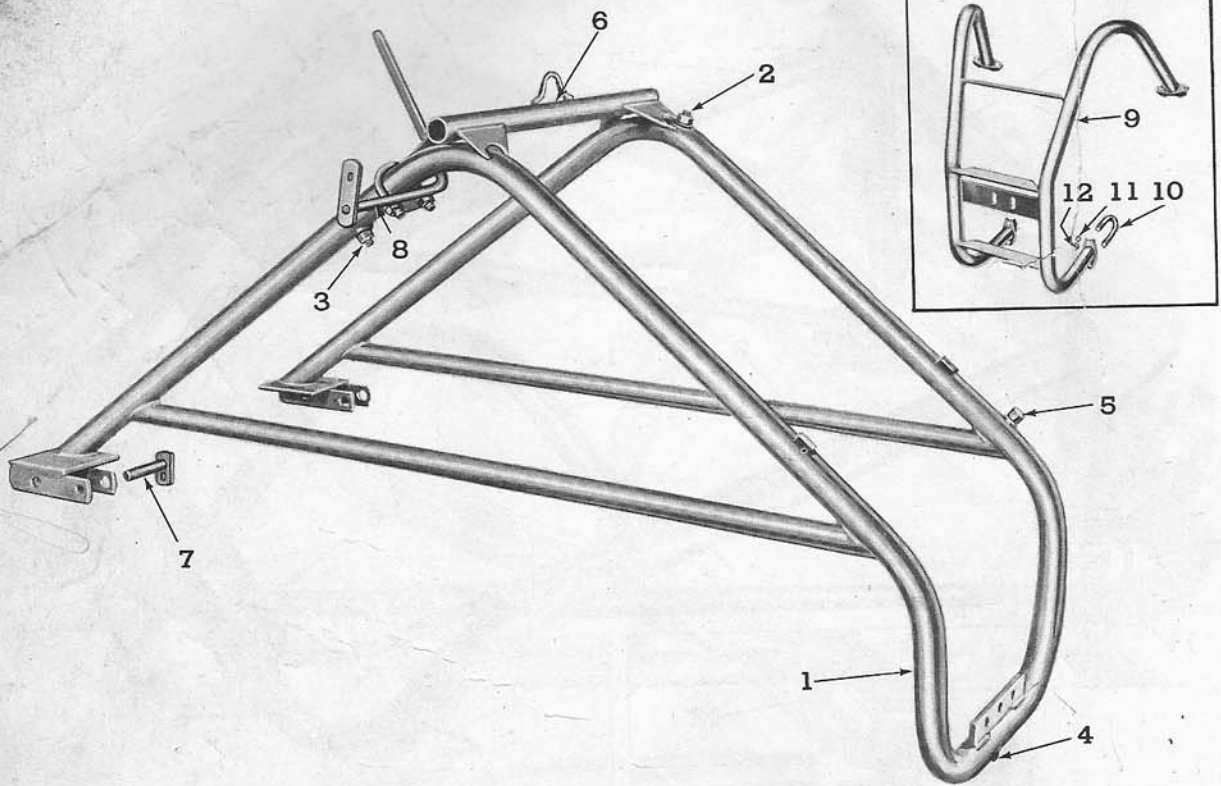


Figure 13 - Frame Assembly for Models 19-21, 22, 23 (Prior), 59, and 60

FIG. NO.	PART NO.	NAME AND DESCRIPTION	QTY. REQ.
		Group 1-4—FRAME ASSEMBLY For Models 19-21, 22, 23 (Prior), 59 and 60	
1	193603	FRAME, Main (Welded Assembly)	1
-	190488	PLUG, Pipe, 1/8 - 27 Sq. Hd. - Air Vent	1
2		PLUG, Pipe, 3/4 - 14 Sq. Hd. - Oil Filler	1
3	190487	PLUG, Pipe, 3/4 - 14 Sq. Hd. - Oil Inlet (Model 19-21 Only)	1
4	358039-S	PLUG, Pipe, 3/8 - 18 Sq. Hd. - Oil Drain	1
5	192521	CAP, Pipe, 3/4 - 14 Sq. Hd. - Oil Return (Model 19-21 Only)	1
6		FITTING, Lube, 1/8 - 27 Str. - Lift Arm Trunnion	1
7	190377	PIN and CLIP, Anchor (Staked Assembly), 3-3/4 Pin Length	4
-		BOLT, 5/16 - 18 x 1/2 Hex. } Anchor Pin	2
-		LOCKWASHER, 5/16 }	
8		See Figure 44, Page 73 - Release Assy.	
9	194463	BUMPER, Loader (Welded Assembly) for Models 19-22, 23 (Prior), and 60	1
10		U-BOLT, 1/2 - 13	4
11		LOCKWASHER, 1/2 } Bumper to Frame	8
12		NUT, 1/2 - 13, Hex. }	
-	194369	BRACKET, Mounting, Axle RH. } For Models 19-59, 60	1
-	194370	BRACKET, Mounting, Axle LH. }	1
-	191338	BRACKET, Mounting, Axle, for Models 19-21, 22, 23 (Prior)	2
		BOLT, 5/8 - 11 x 1-1/2 Sq. Hd. } Fender to Mounting Bracket	4
		LOCKWASHER, 5/8 }	
		NUT, 5/8 - 11 Sq. Hd. }	
-	192153	PLATE, Suspension (Welded Assembly) For Models 19-21, 22, 23 (Prior)	1
-	194365	PLATE, Suspension (Welded Assembly) For Model 19-59	1
-	194241	PLATE, Suspension (Welded Assembly) For Model 19-60	1

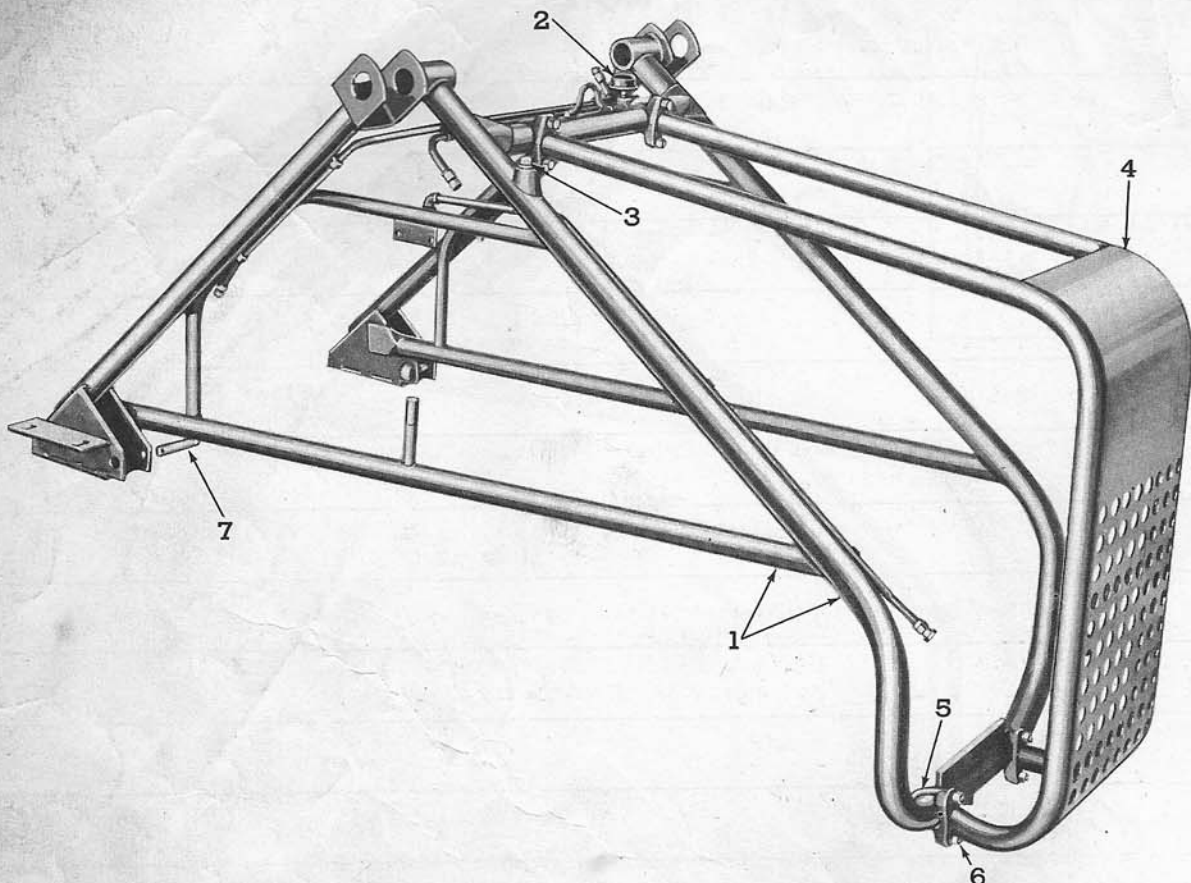


Figure 14 - Frame Assembly for Models 19-42 (Prior), 61 (Prior), 70, 71

FIG. 14	PART NO.	NAME AND DESCRIPTION	QTY. REQ.	
			19-42, 61	19-70, 71
		Group 1-5—FRAME ASSEMBLY For Models 19-42 (Prior), 61 (Prior), 70 & 71		
1	194496	FRAME, Main (Welded Assembly) Less Hydraulic Lines	1	1
1		FRAME, Main (Welded Assembly) Less Hydraulic Lines (See Note on Next Page).	1	-
-		BOLT, 5/8 - 11 x 1-1/2 Hex. Hd.	-	-
-		LOCKWASHER, 5/8	-	-
-		NUT, 5/8 - 11 Hex	-	-
2	192846	CAP, Air Filter	-	1
3	193963	PLUG, Pipe, 1-11 Sq. Hd.- Oil Filler	1	1
-		PLUG, Pipe, 3/8 - 18 Sq. Hd. - Oil Drain	1	1
-		PLUG, Pipe 1/2 Extend Hd. - Oil Drain	-	1
4	193908	BUMPER, Loader (Welded Assembly)	1	1
5	191475	U-BOLT, 1/2 - 13	4	4
-		LOCKWASHER	8	8
-		NUT, 1/2 - 13 Hex.	8	8
7	193916	PIN, Pivot, 1 x 3-7/16	-	-
		COTTER PIN, 1/4 x 1-1/2	2	2
		Fender to Frame	4	4
		Bumper to Frame	8	8
		Frame to Cylinder to Lift Arm	2	2

NOTE:

For maximum strength, there will be shipped with each Model 19-70, 71 Loader, four (4) each of the following standard parts to be used instead of the regular Ford fender bolt set.

- 300385 Bolt, 5/8-11 x 6-1/2 Carr. Heat Treated
- Lockwasher, 5/8
- Nut, 5/8-11 Hex

MAIN FRAME REPLACEMENT

To replace the frame on a Model 19-42 or 61 Loader with the new frames used on Model 19-70 and 71 Loaders, it will be necessary to furnish the following parts:

<u>Part No.</u>	<u>Description</u>	<u>Qty.</u>
194496	Main Frame	1
194153	Pipe, Pump to Valve.	1
194383	Hose, 1 x 8-1/2 - Valve to Frame.	1
192846	Cap, Air Filter	1
194142	Nipple Pipe, 1 x 3 (Frame to Hose).	1
194147	Pipe, Pump, 1 x 8 (Formed).	1
194145	Hose, 1-1/4 x 4-1/4.	1
8CM-8287	Clamp, Hose.	2

The additional parts that follow are required for Loaders with Serial Numbers as listed:

Prior to - Serial No. 5001, on Model 19-42
 Serial No. 4042, on Model 19-61

194478	Pipe, U-Shape (Equalizer).	1
194476	Pipe, Valve to Lift Arm.	1
194480	Hose, Hydraulic 3/8 x 32 - Valve to Arm Pipe.	1
194387	Hose, Hydraulic 3/8 x 22 - Pipe to Lift Arm Pipe	1

2

DEARBORN *Loaders*

MODELS 19-29, 65

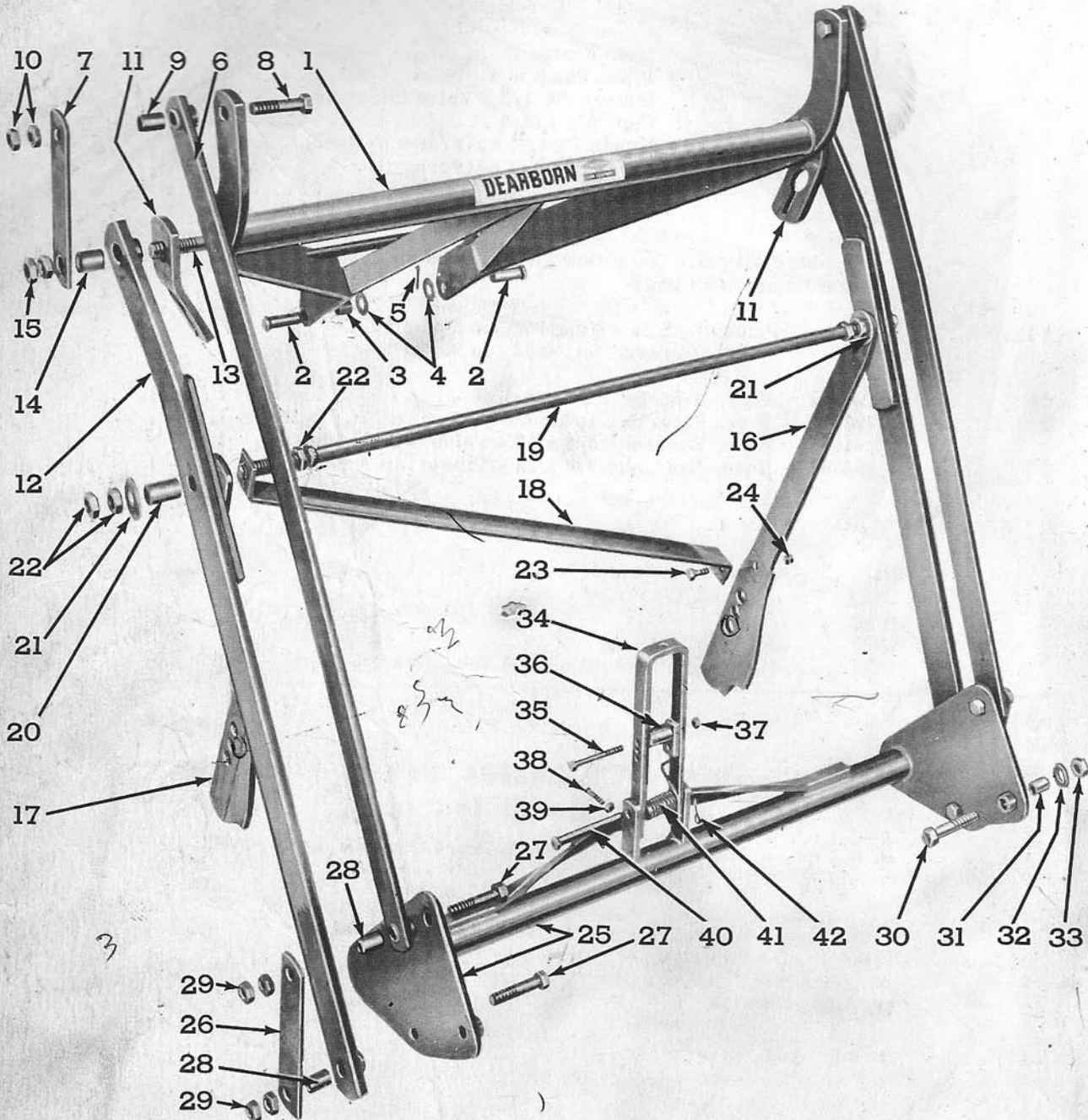


Figure 15 - Frame Assembly for Models 19-29, 65

FIG. 15	PART NO.	NAME AND DESCRIPTION	QTY. REQ.
Group 1-6—FRAME ASSEMBLY For Models 19-29, 65			
1	192410	FRAME ASSEMBLY, Upper Link (Welded Assembly)	1
2	194009	PIN, 3/4 x 2-9/16 Str.	2
3	192429	SPACER, 3/4 ID x 1 OD x 3/4 } Frame to Tractor	1
4		WASHER, 3/4 Flat	2
5		COTTER PIN, 1/4 x 1-1/2 }	2
-	192390	ARM ASSEMBLY, Upper Control, R.H.	1
6	192385	ARM ASSEMBLY, Upper Control, L.H.	1
7	192391	LINK, Upper Locking	2
8		BOLT, 5/8 - 11 x 2-3/4 Hex. Hd.	2
9	192426	SPACER, 5/8 ID x 13/16 OD x 1.067 } Frame to Arm to Upper Link	2
10		NUT, 5/8 - 11 Hex. Jam	4
11	192424	LINK, Chain Attaching	2
--	192380	ARM, Lower Control, R.H. (Welded Assembly)	1
12	192370	ARM, Lower Control, L.H. (Welded Assembly)	1
13	192430	RED, Tie, Upper Link Frame	1
14	192427	SPACER, 3/4 ID x 1 OD x 1.067 } Frame to Link to Lower Arm	2
15		NUT, 3/4 - 10 Hex. Jam	4
16	192400	STRUT, Lifting, R.H. (Welded Assembly)	1
17	192395	STRUT, Lifting, L.H. (Welded Assembly)	1
18	192402	BRACE, Lifting Strut Cross	1
19	192430	ROD, Tie, Lifting Struts and Brace	1
20	192405	SPACER, 3/4 ID x 1 OD x 1.442 } Brace to Strut to Lower Arm	2
21		WASHER, 3/4 Flat	3
22		NUT, 3/4 - 10 Hex. Jam	8
23		BOLT, 7/16 - 14 x 1-1/4 Hex. Hd. } Cross Brace to R.H. Lifting Strut	1
24		NUT, 7/16 - 14 Hex.	
25	192350	CRADLE, Bucket (Welded Assembly)	1
26	192392	LINK, Lower Locking	2
27		BOLT, 5/8 - 11 x 2-1/2 Hex. Hd.	4
28	192426	SPACER, 5/8 ID x 13/16 OD x 1.067 } Cradle to Upper and Lower Arms	4
29		NUT, 5/8 - 11 Hex. Jam	8
30		BOLT, 5/8 - 11 x 2-1/4 Hex. Hd.	2
31	192428	SPACER, 5/8 ID x 13/16 OD x 7/8 } Cradle to Bucket Assembly	2
32		WASHER, 5/8 Flat	2
33		NUT, 5/8 - 11 Hex. Jam	4
34	192361	YOKE, Latch (Welded Assembly)	1
35		BOLT, 3/8 - 16 x 3-1/4 Hex. Hd.	
36	192363	ROLLER, Latch Yoke	
37	192366	SPACER, 3/8 ID x 9/16 OD x 1-1/4 } Roller to Yoke	1
38		NUT, 3/8 - 16 Hex.	
39		SET SCREW, 5/16 - 18 x 1-1/8 Sq. Hd. } Latch Angle Control	1
40	193976	PIN, 1/2 x 4 Clevis	
41	192364	SPRING, Return, Latch Yoke } Yoke to Cradle	1
42		COTTER PIN, 1/8 x 1	

Group 2—LIFT ARM ASSEMBLIES

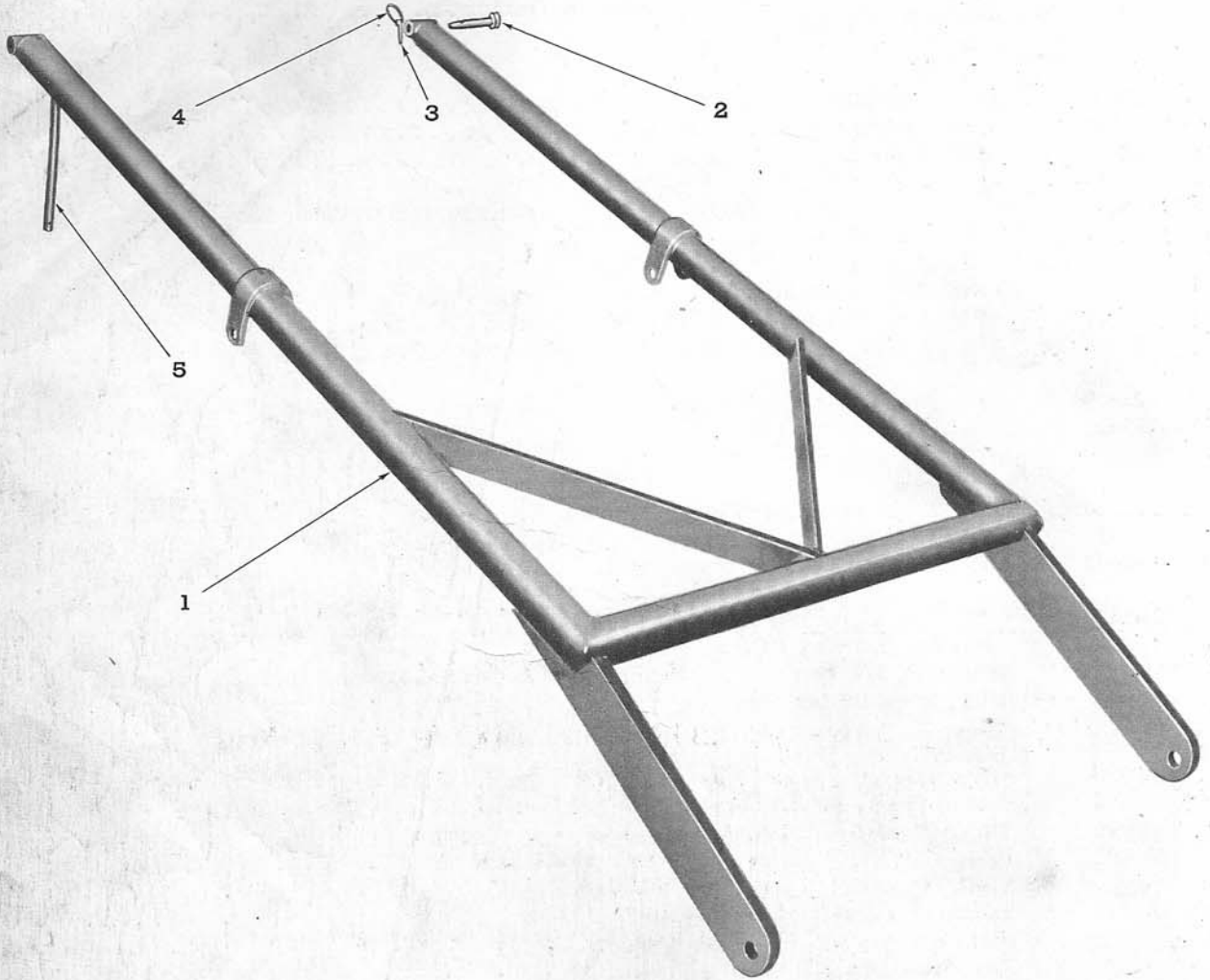


Figure 16 - Loading Arm Assembly for Model 19-7 (Prior)

FIG. NO.	PART NO.	NAME AND DESCRIPTION	QTY. REQ.
		Group 2-1—LIFT ARM ASSEMBLY For Model 19-7 (Prior)	
		Group 2-1A LOADING ARM ASSEMBLY	
1	190573	ARM, Loader (Welded Assembly)	1
2	190677	PIN, Attaching, 3/4 x 5-7/16	4
3	2 N-574	PIN, Linch	4
4	2 N-575	RING, Snap	4
5	190577	ARM, Height Adjusting, 5/8 x 12	1

DEARBORN *Loaders*

MODEL 19-7 (Prior)

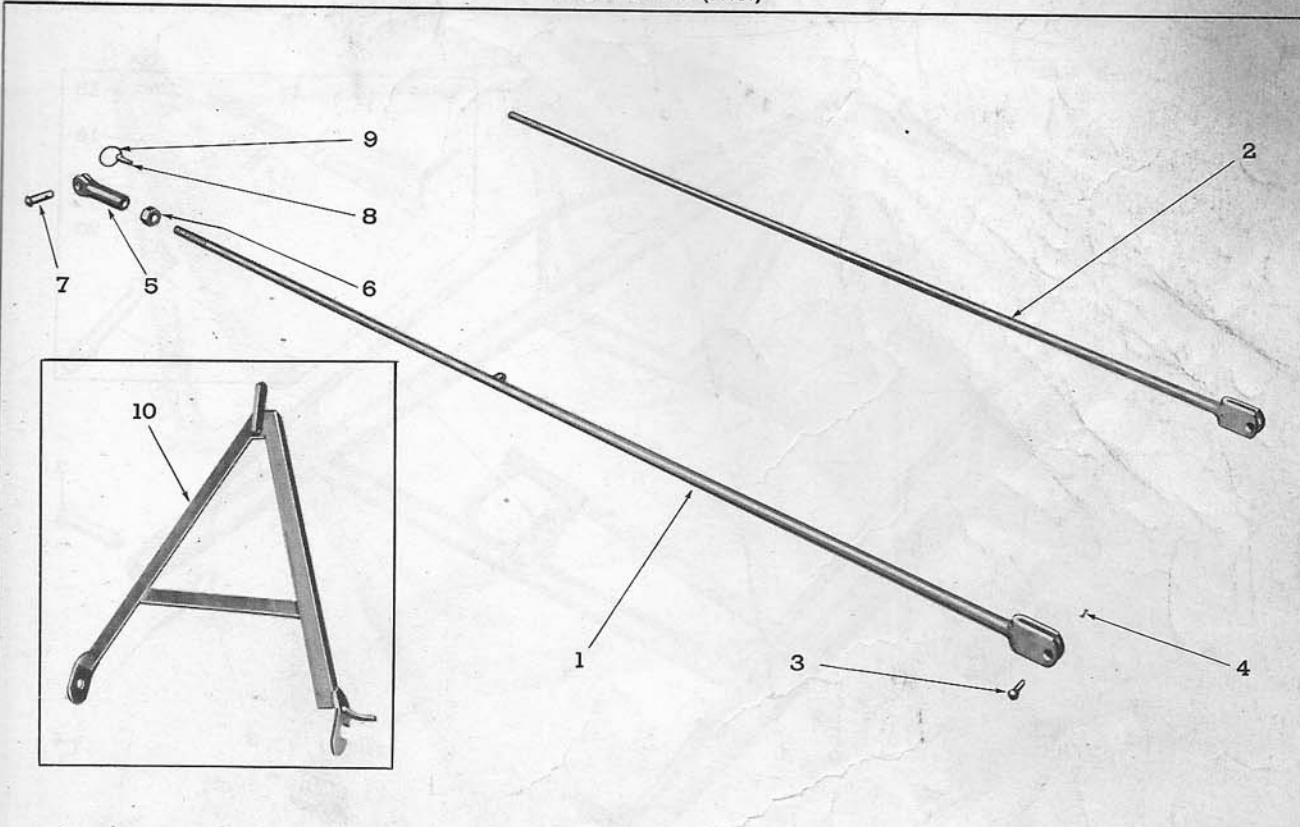


Figure 17 - Leveling Rods and Holddown Assembly for Model 19-7 (Prior)

FIG. 17	PART NO.	NAME AND DESCRIPTION	QTY. REQ.
Group 2-1B—LEVELING RODS AND HOLD-DOWN			
1	190953	ROD, Leveling (Welded Assembly) R.H.	1
2	190954	ROD, Leveling (Welded Assembly) L.H.	1
3	192075	PIN, 3/8 x 1-1/4 (Drilled Rivet) (Used with Rod with 7/16 Hole)	2
3	300082	PIN, 1/2 x 1-5/8 (Drilled Rivet) (Used with Rod with 9/16 Hole)	2
4		COTTER PIN, 1/8 x 1 - Rod to Bucket	2
5	191140	YOKE, Rod End (Welded Assembly)	2
6		NUT, 7/8 - 9 Hex. - Yoke to Rod.	2
7	190678	PIN, Attaching, 3/4 x 3-1/4	2
8	2 N-574	PIN, Linch	2
9	2 N-575	RING, Snap	2
10	190658	HOLDDOWN (Welded Assembly) (For Lift Links on Tractor)	1
			1
			1
			1
			1
			1
			1

DEARBORN *Loaders*

MODEL 19-8 (Prior)

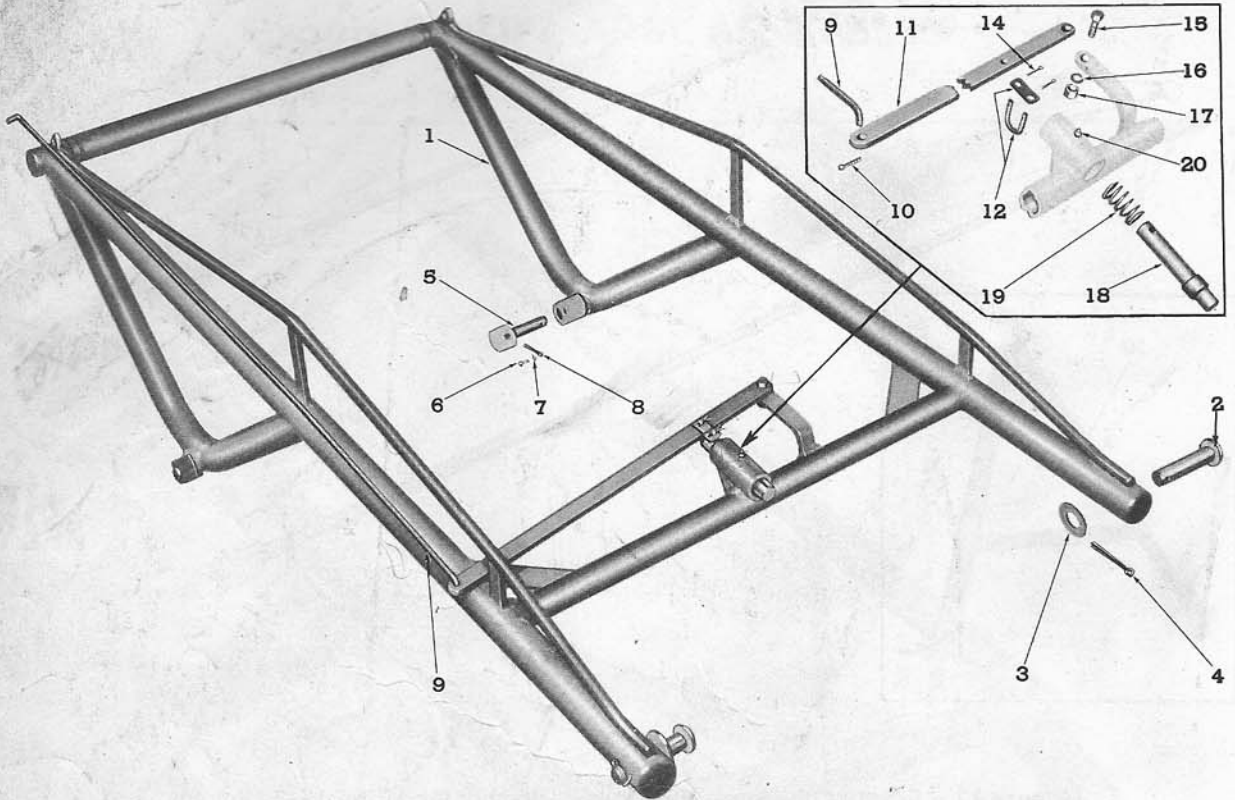


Figure 18 - Lift Arm Assembly for Model 19-8 (Prior)

FIG. 18	PART NO.	NAME AND DESCRIPTION	QTY. REQ.
		Group 2-2—LIFT ARM ASSEMBLY	
1		ARM, Loader (Welded Assembly)	1
2	192544	PIN, Attaching, Bucket, 1 x 4-1/2	2
3		WASHER, 1 Flat } Pin to Bucket	2
4		COTTER PIN, 1/4 x 2 }	4
5	190377	PIN and CLIP, Cylinder attaching	4
6		BOLT, 5/16 - 18 x 3/4 Hex. Hd. } Pin to Cylinder	4
7		LOCKWASHER, 5/16 }	
8		COTTER PIN, 5/16 x 2 }	
9	190310	ROD, Release, Bucket	1
10		COTTER PIN, 1/8 x 1 - Release Rod	2
11	190331	BAR, Latch Control	1
12	190338	BOLT and PLATE ASSEMBLY - Latch Bar to Latch Pin	1
		Group 2-1—LATCH CONTROL ASSEMBLY	
		U-BOLT PIN, 1/8 x 1/2 - U-Bolt	2
		WASHER, 1/2 } Bar to Pivot Bar	1
1	190573	ARM, Loader (Welded Assembly)	1
2	190677	PIN, Attaching, (Welded Assembly)	1
3	2 N-574	PIN, Latch Pin	1
4	2 N-575	RING, Snapper, Lube, 1/8 x 3/4 - Latch Housing	1
5	190577	ARM, Height Release (Welded Assembly)	1
		Release Lever	1

DEARBORN *Loaders*

MODEL 19-8A (Prior)

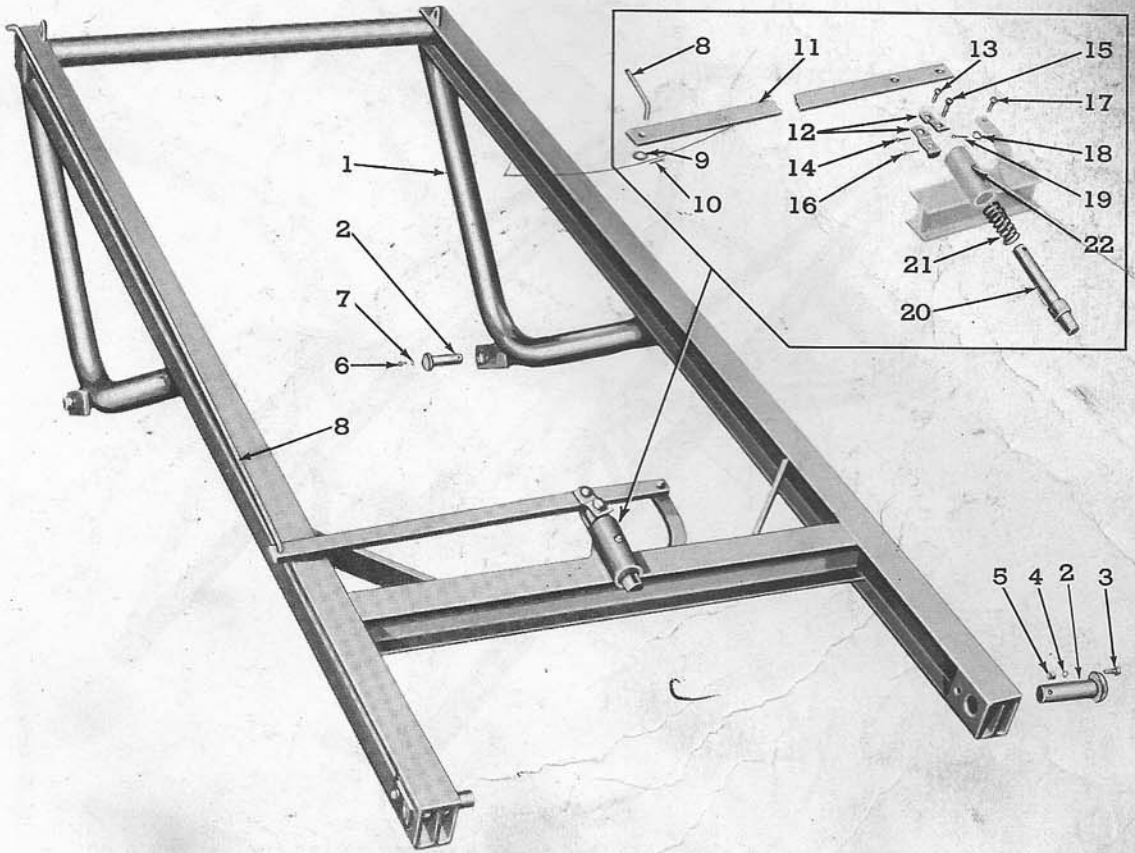


Figure 19 - Lift Arm Assembly for Model 19-8A (Prior)

FIG. 19	PART NO.	NAME AND DESCRIPTION	QTY. REQ.
Group 2-3—LIFT ARM ASSEMBLY			
1		ARM, Loader (Welded Assembly)	1
2	192544	PIN, Rivet, 1 x 4 1/2 - Attaching	4
3		BOLT, 5/16 - 18 x 3/4 Sq. Hd.	} Pin to Lift Arm to Bucket (Old Pin & Clip)
4		LOCKWASHER, 5/16	
5		NUT, 5/16 - 18 Sq.	} Pin to Lift Arm to Cylinder (Old Pin & Clip) ..
6		BOLT, 5/16 - 18 x 1/2 Hex. Hd.	
7		LOCKWASHER, 5/16 - 18	} Release Rod
8	190351	ROD, Release, Bucket	
9		WASHER, 3/8 Plain	
10		COTTER PIN, 1/8 x 3/4	2
11	190331	BAR, Latch Control	1
12	190353	LINK, Latch	2
13	300115	PIN, 3/8 x 1-1/2 (Drilled Rivet)	} Link to Bar
14		COTTER PIN, 1/8 x 3/4	
15	300095	PIN, 3/8 x 1-1/4 (Drilled Rivet)	} Link to Latch Pin
16		COTTER PIN, 1/8 x 3/4	
17	300116	PIN, 3/8 x 1 (Drilled Rivet)	} Bar to Pivot Bar
18		COTTER PIN, 1/8 x 3/4	
19		WASHER, 3/8 Plain	
20	190359	PIN, Latch (Welded Assembly)	1
21	190339	SPRING, Latch Pin	1
22		FITTING, Lube, 1/8 x 3/4 - Latch Housing	1

DEARBORN *Loaders*

MODELS 19-21, 22 and 23 (Prior), 59 & 60

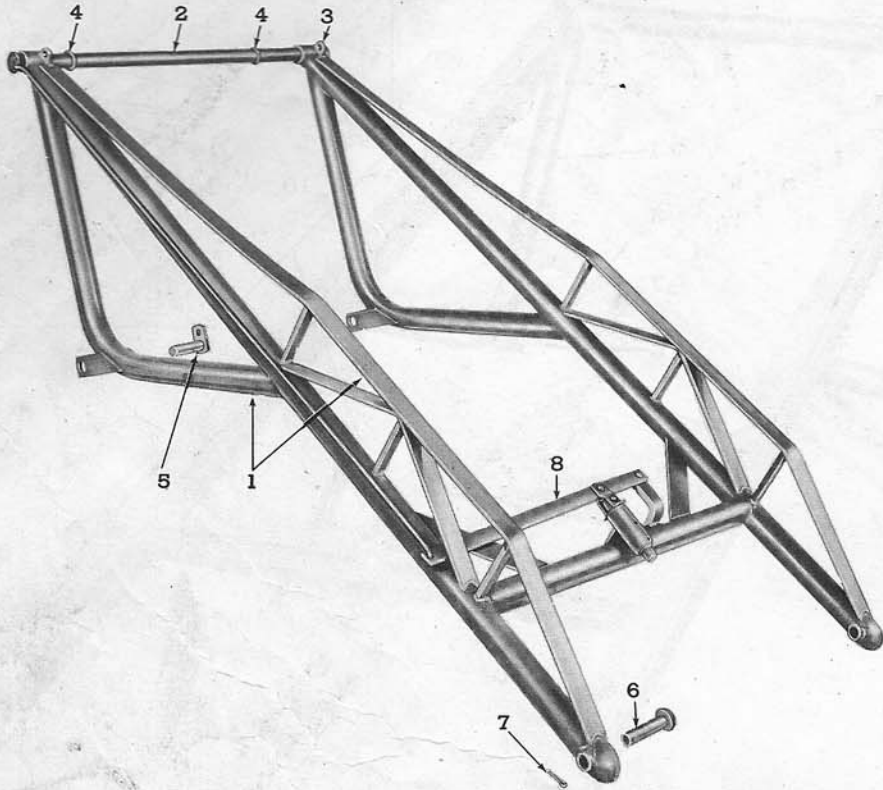


Figure 20 - Lift Arm Assembly, for Models 19-21, 22, 23 (Prior), 59 & 60

FIG. 20	PART NO.	NAME AND DESCRIPTION	QTY. REQ.
		Group 2-4—LIFT ARM ASSEMBLY For Models 19-21, 22, 23 (Prior), 59 and 60	
1	191463	ARM ASSEMBLY, Loader Consists of Welded Arm which is not serviced separately, plus items listed below:	1
-		FITTING, Lube, 1/8 - 27 - Lift Arm	2
2	192580 *	SHAFT, Trunnion, Lift Arm - 1-1/2 x 39-3/4	1
3	192583	COLLAR, Trunnion Shaft	1
4	192251	WASHER, 1-9/16 Flat - Shaft, Between Arm and Frame	2
-		COTTER PIN, 1/4 x 2-3/4 - Collar to Shaft	1
5	191360	PIN & CLIP, Anchor (Welded Assembly) (Pin Lgth. 2-7/8)	2
-		BOLT, 5/16 - 18 x 1/2 Hex. Hd. } Anchor Pin	2
-		LOCKWASHER, 5/16	
6	192544	PIN, Anchor, Bucket (Rivet 1 x 4-1/2 Rd. Hd. Drld.)	2
-		WASHER, 1 Flat.	2
7		COTTER PIN, 1/4 x 1-1/2 - Anchor Pin.	2
8		RELEASE ASSEMBLY (See Figure 44)	
NOTE:			
*Effective on Model 19-21 Serial #3095, Model 19-22 Serial #12467, and Model 19-23 Serial #20969. Prior to the above, the following Trunnion Shaft was used:			
-	190495	SHAFT, Trunnion, Lift Arm - 1-1/2 x 39	1

DEARBORN *Loaders*

MODELS 19-42 (Prior), 61 (Prior), 70, 71

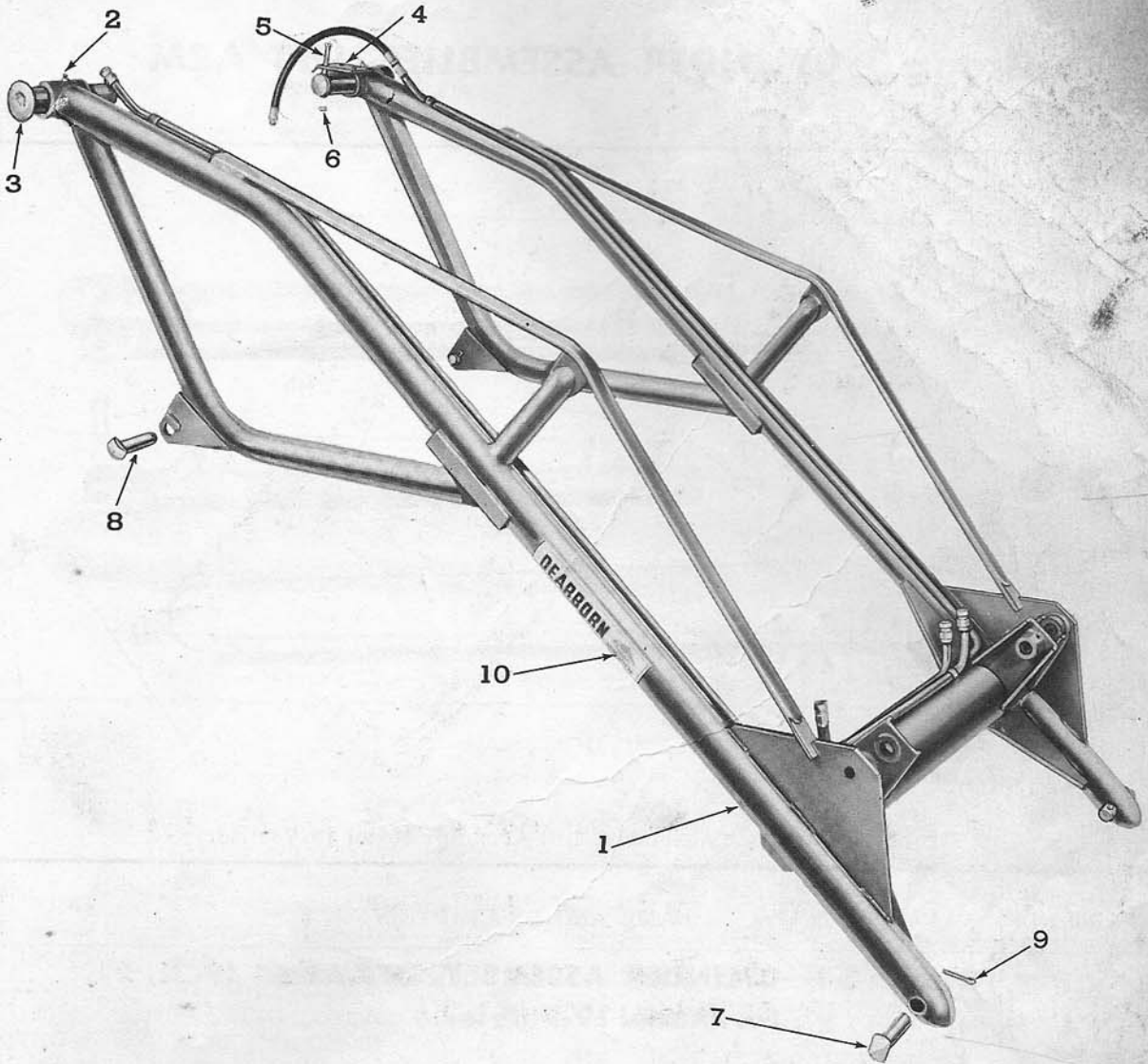


Figure 21 - Lift Arm Assembly for Models 19-42 (Prior), 61 (Prior), 70, 71

FIG. 21	PART NO.	NAME AND DESCRIPTION	QTY. REQ.
		Group 2-5—LIFT ARM ASSEMBLY For Models 19-42 (Prior), 61 (Prior), 70 & 71	
1	194568	ARM, Loader (Welded Assembly) (Model 19-70, 71) (Less Pipes)	1
-	194497	ARM, Loader (Welded Assembly) (Model 19-42, 61) (Less Pipes)	1
2		FITTING, Lube 1/8 - 27 Str. - Lift Arm	2
3	193888	PIN, Pivot, Arm	2
4	193991	LUG, Mounting, Headlight	2
5		BOLT, 3/8 - 16 x 3-1/2 Hex. Hd. } Lug and Pin to Frame	2
6		NUT, 3/8 - 16 Hex. }	
7	193915	PIN, Pivot, 1 x 4-5/16 - Bucket to Lift Arm	2
8	193916	PIN, Pivot, 1 x 3-7/16- Cylinder to Lift Arm and Frame	4
9		COTTER PIN, 1/4 x 1-1/2 - Pivot Pin	6
10	112220	DECAL, 2-1/8 x 11 (Dearborn Equipment)	1

Group 3 CYLINDER ASSEMBLIES, LIFT ARM

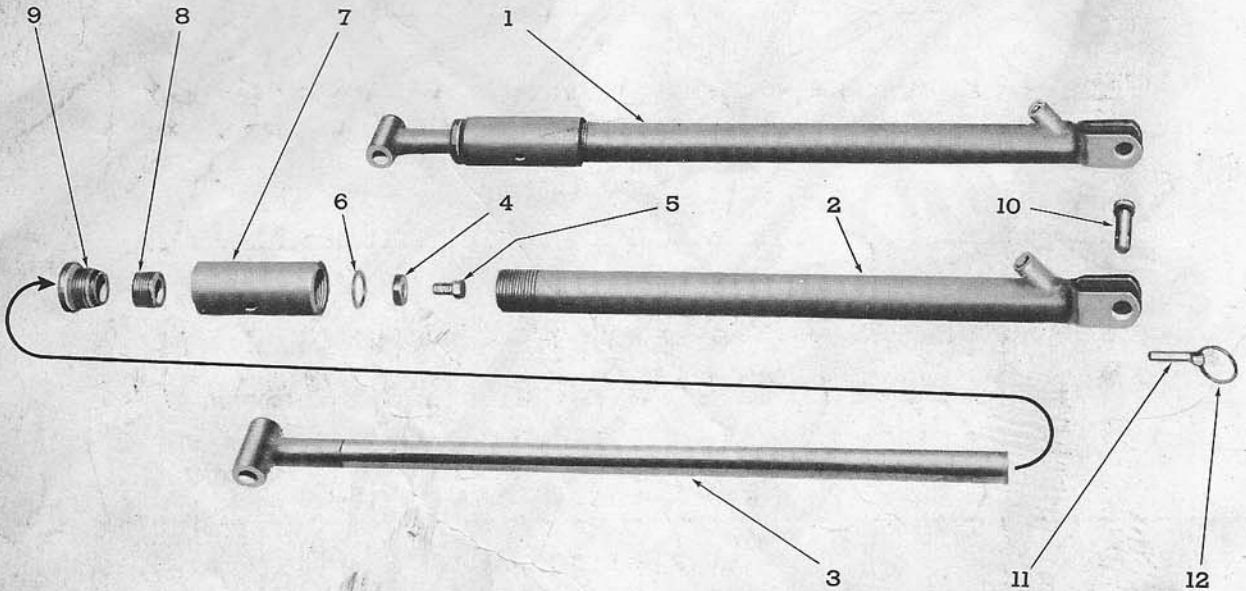


Figure 22 - Cylinder Assembly, Lift Arm, for Model 19-7 (Prior)

FIG. 22	PART NO.	NAME AND DESCRIPTION	QTY. REQ.
		Group 3-1—CYLINDER ASSEMBLY, LIFT ARM For Model 19-7 (Prior)	
1	190583	HOIST ASSEMBLY	2
		Consists of:	
2	190584	CYLINDER, (Welded Assembly)	2
3	190589	SHAFT, (Welded Assembly)	2
4	190591	RING, Stop, Cylinder Shaft	2
5		BOLT, 5/8 - 18 x 1 Hex. Hd. - Ring to Cylinder Shaft	2
6	190592	RING, Seal	2
7	190951	HOUSING and BUSHING ASSEMBLY	2
8	190596	PACKING, (Set of 1 Solid Ring and 10 Packings 1-3/8 I.D.)	2
9	190597	NUT, Packing	2
10	190679	PIN, Attaching, 3/4 x 2-13/16	2
11	2 N-574	PIN, Linch	2
12	2 N-575	RING, Snap	2

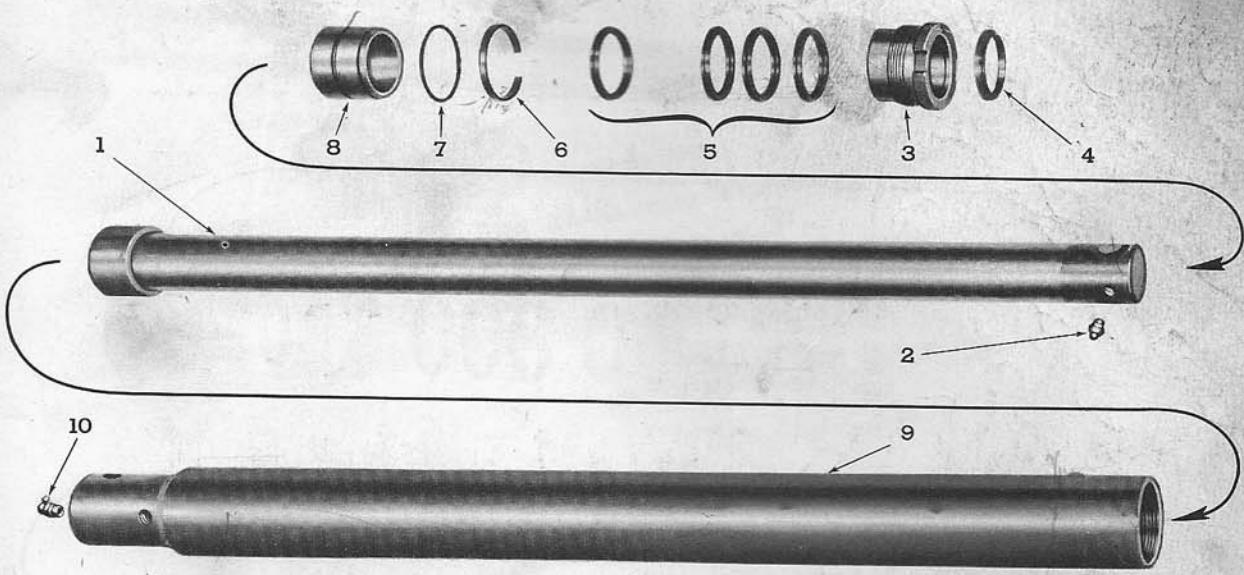


Figure 23 - Cylinder Assembly, for Model 19-8 (Prior)

FIG. 23	PART NO.	NAME AND DESCRIPTION	QTY REQ
Group 3-2—CYLINDER ASSEMBLY For Model 19-8 (Prior)			
NOTE: When replacing complete Hoist Assembly, use Part No. 190459, listed on page 38.			
1	190741	SHAFT (Welded Assembly)	2
2		FITTING, Lube, 1/8 - 27 Str. - Shaft	2
3	190417	NUT, Packing	2
4	190418	WIPER, Packing Nut	2
5	190747	PACKING (Complete Set of 4).	2
6	190742	RING, Split (Steel)	2
7	190743	"O" RING (Rubber)	2
8	190416	RING, Stop (Steel)	2
9	190740	CYLINDER (Welded Assembly)	2
10		FITTING, Lube, 1/8 - 27 Str. - Cylinder	2
--	190381	WRENCH, Packing Nut (For Item No. 3)	1

DEARBORN *Loaders*

MODEL 19-8A (Prior)

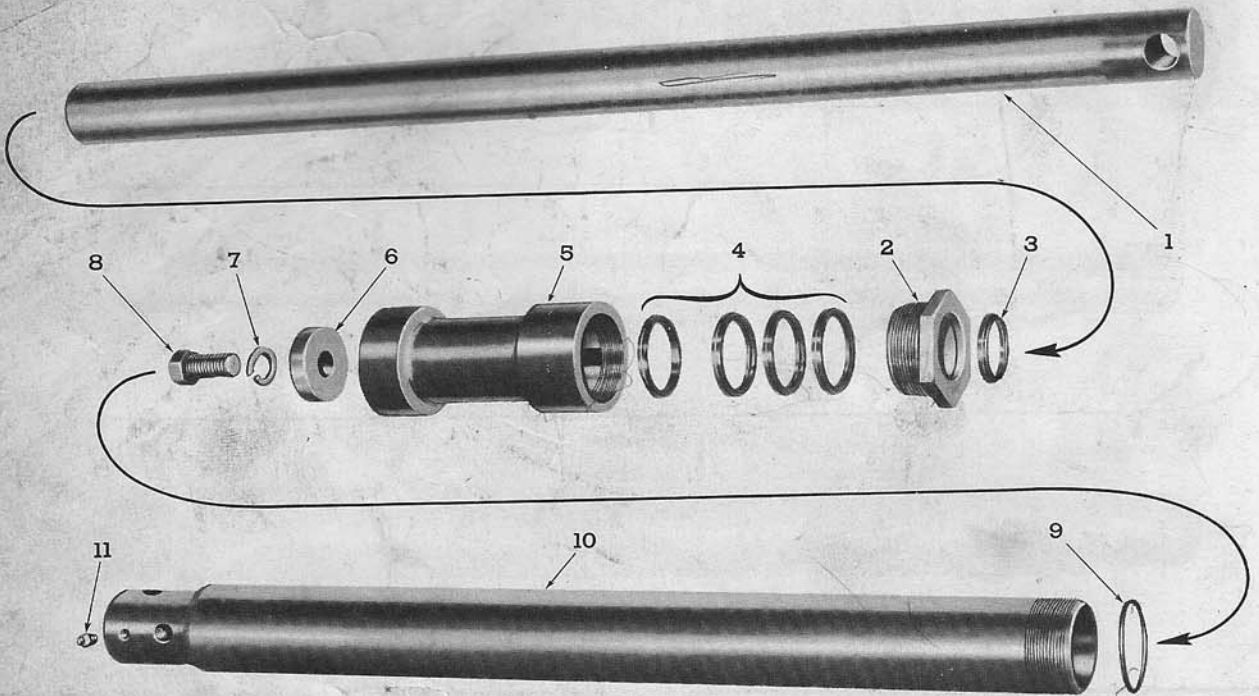


Figure 24 - Cylinder Assembly, Lift Arm, for Model 19-8A (Prior)

FIG. 24	PART NO.	NAME AND DESCRIPTION	QTY. REQ.
		Group 3-3—CYLINDER ASSEMBLY, LIFT ARM For Model 19-8A (Prior)	
--	190459	CYLINDER ASSEMBLY, Hydraulic Hoist	2
		Consists of:	
1	190463	SHAFT, Piston.	2
2	190469	NUT, Packing	2
3	190471	WIPER, Packing Nut	2
4	190747	PACKING (Complete Set of 4)	2
5	190467	BOX, Stuffing	2
6	190464	STOP, Shaft	2
7	190466	LOCKWASHER, 3/4	2
8	190465	BOLT, 3/4 - 16 x 1-1/2 Hex. Hd.	2
9	190470	"O" RING (Rubber)	2
10	190460	CYLINDER (Welded Assembly)	2
11		FITTING, Lube, 1/8 - 27 Str. - Cylinder and Shaft	2

DEARBORN *Loaders*

MODELS 19-21, 22, 23 (Prior), 59 & 60

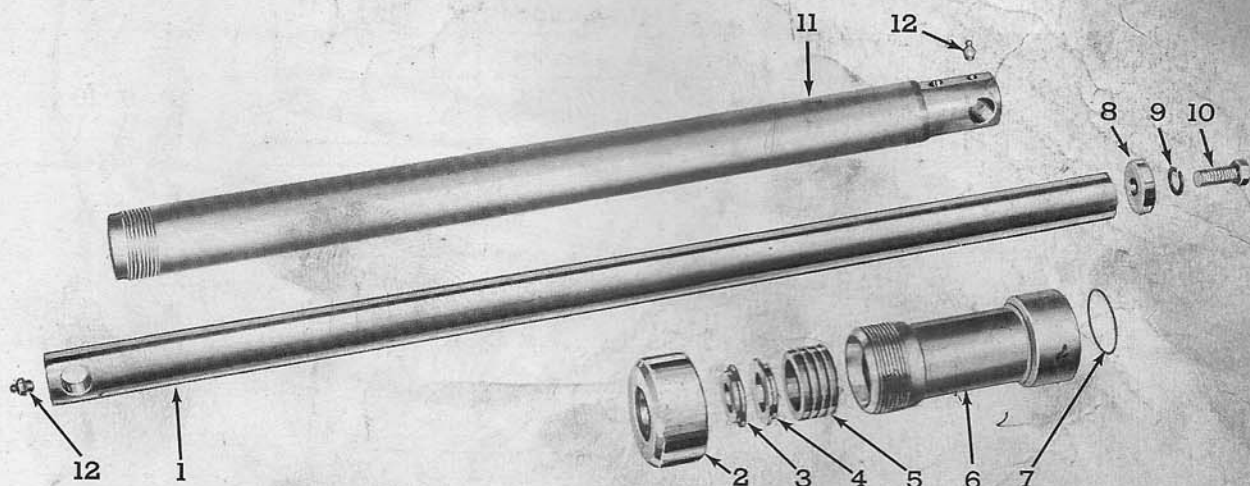


Figure 25 - Cylinder Assembly, Lift Arm, for Models 19-21, 22, 23 (Prior), 59, & 60

FIG. 25	PART NO.	NAME AND DESCRIPTION	QTY. REQ.
		Group 3-4—CYLINDER ASSEMBLY, LIFT ARM For Models 19-21, 22, 23 (Prior), 59 and 60	
-	192088	CYLINDER ASSEMBLY, Hydraulic Hoist	2
		Consists of:	
1	192125	SHAFT, Piston	2
2	192132	NUT, Packing	2
3	192130	WIPER, Packing Nut (Leather)	2
4	192129	GLAND, Packing Nut Wiper	2
5	192150	PACKING, (Complete Set of 4)	2
6	192127	BOX, Stuffing	2
7	192131	"O" RING	2
8	192126	STOP, Shaft	2
9		LOCKWASHER, 5/8	2
10		BOLT, 5/8 - 18 x 1-1/2 Hex. Hd.	2
11	192122	CYLINDER (Welded Assembly)	2
12		FITTING, Lube, 1/8 - 27 Str. - Cylinder and Shaft	4

CONN 3A 714 A

3

3/1 a

10
10
10

DEARBORN *Loaders*

MODELS 19-42,(Prior), 61 (Prior), 70, 71

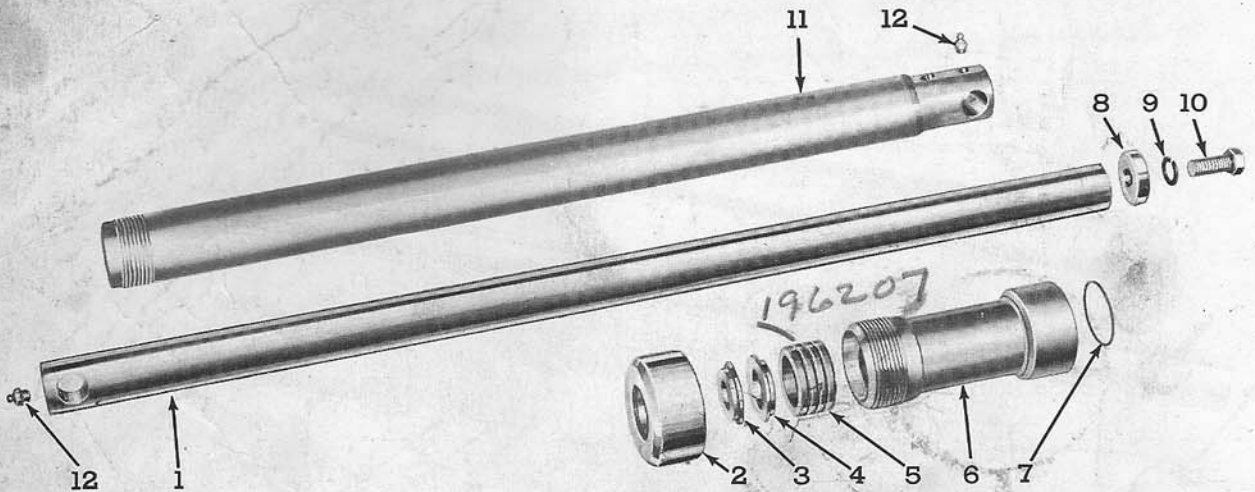


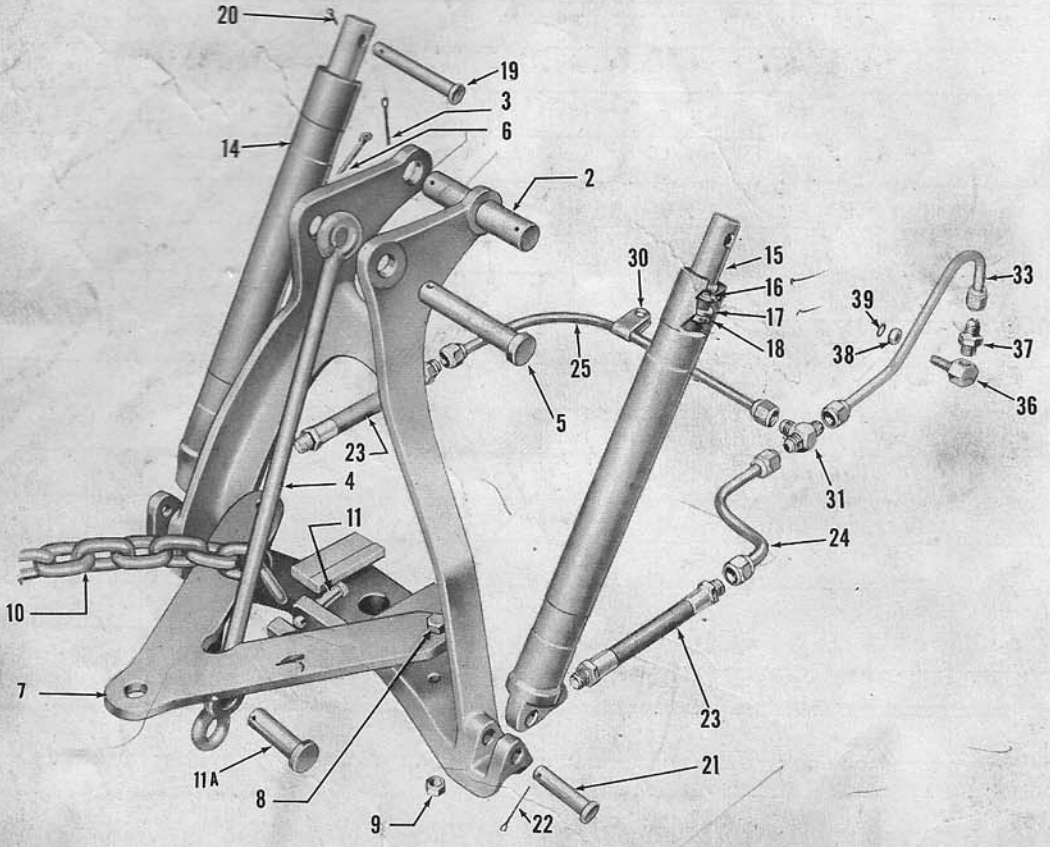
Figure 26 - Cylinder Assembly, Lift Arm, for Models 19-42 (Prior), 61 (Prior), 70, 71

FIG. 26	PART NO.	NAME AND DESCRIPTION	QTY. REQ.
		Group 3-5—CYLINDER ASSEMBLY, LIFT ARM For Models 19-42 (Prior), 61 (Prior), 70 & 71	
-	193946	CYLINDER ASSEMBLY, Hydraulic Hoist.....	2
		Consists of:	
1.	193949	SHAFT, Piston 1-3/4 x 38-7/8	2
2.	193953	NUT, Packing	2
3.	193958	WIPER, Packing Nut (Leather)	2
4.	193957	GLAND, Packing Nut Wiper	2
5.	193954	PACKING (Complete Set of 4)	2
6.	193952	BOX, Stuffing	2
7.	192131	"O" RING	2
8.	192126	STOP, Shaft	2
9.		LOCKWASHER, 5/8	2
10.		BOLT, 5/8 - 18 x 1-1/2 Hex. Hd.	2
11.	193947	CYLINDER (Welded Assembly).....	2
12.		FITTING, Lube, 1/8 - 27 Str. - Cylinder and Shaft.....	4

DEARBORN *Loaders*

MODELS 19-29, 65

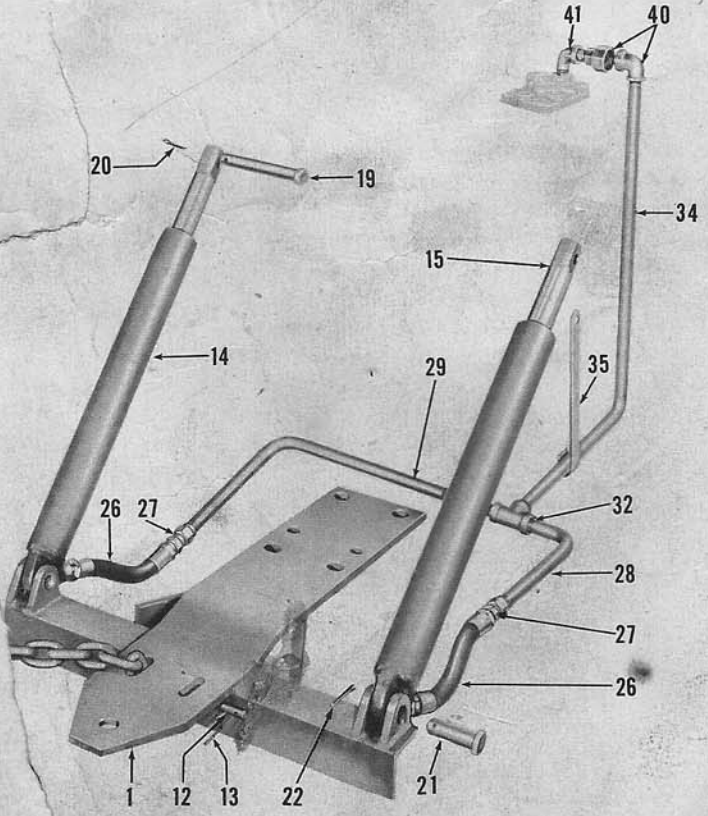
OLD



- 193946
- 1 193949
- 2 193953
- 3 193958
- 4 193957
- 5 193954
- 6 193952
- 7 192131
- 8 192126
- 9
- 10
- 11 193947
- 12

196207

C
 P
 BOX
 "O" R
 STOP, Sha
 LOCKWASH
 BOLT, 5/8
 CYLINDER (V
 FITTING, Lube, 1

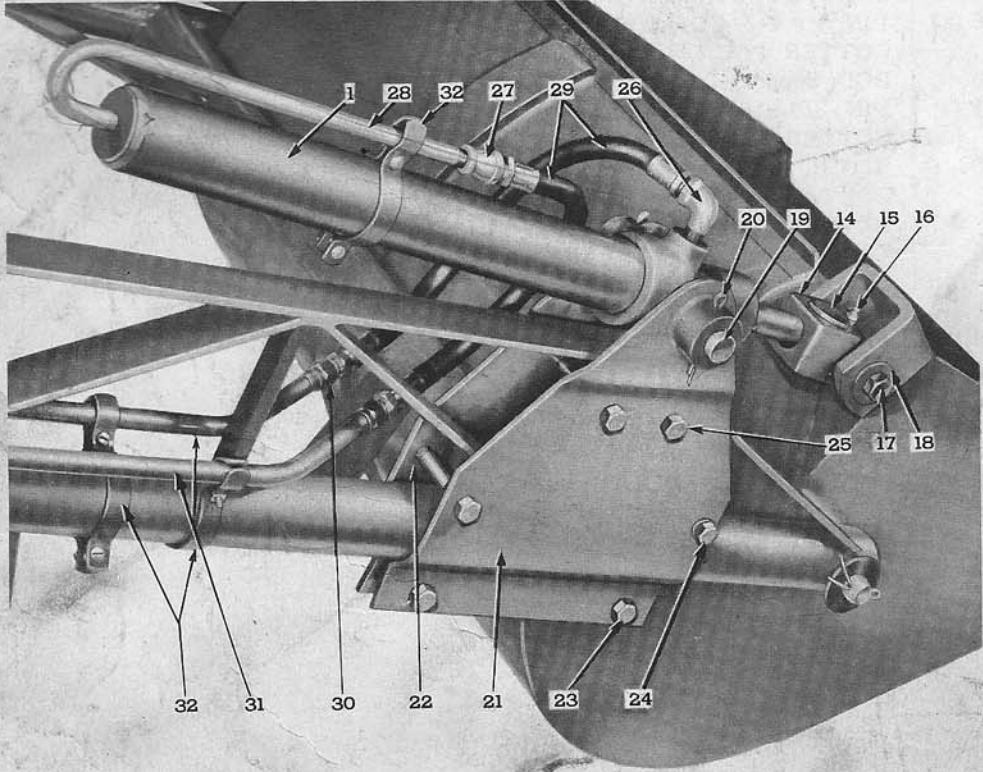


er Assemblies for Models 19-29, 65 & 66

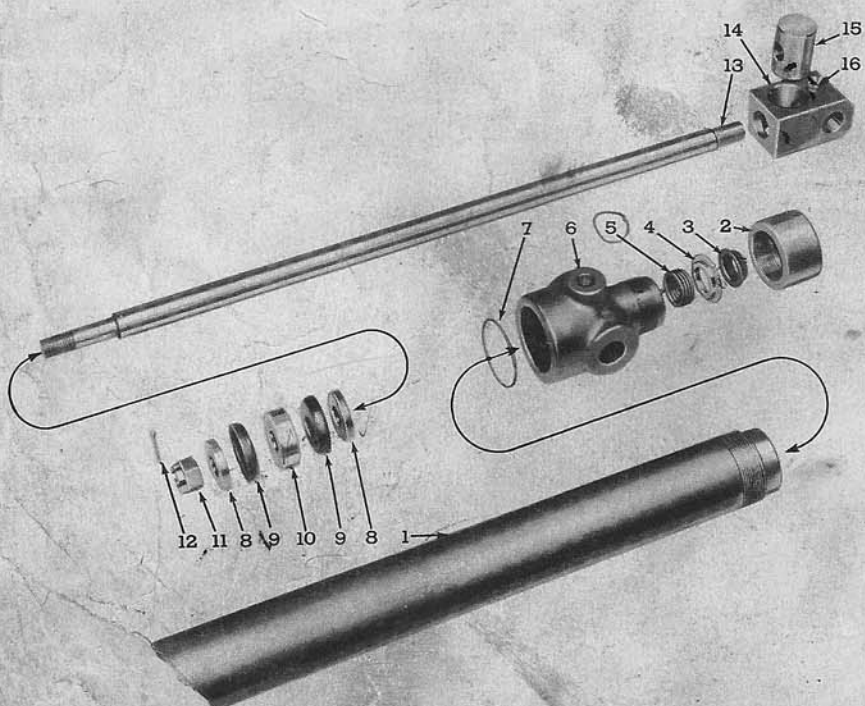
FIG. 27	PART NO.	NAME AND DESCRIPTION	QTY. REQ.		
			19-29	19-65	19-66
Group 3-6—HYDRAULIC BOOSTER ASSEMBLIES					
For Models 19-29, 65 and 66					
1	194434	BRACKET, Cylinder (Welded Assembly)	1	1	
2	192466	PIN, 1 x 4-3/4 Drld. Headless } Bracket to Tractor	1		
3		COTTER PIN, 1/8 x 1-1/2 }	2		
4	192470	ROD, Support	1		
5	193831	PIN, 3/4 x 4-1/2 Clevis } Rod to Bracket	1		
6		COTTER PIN, 5/32 x 1-1/2 }	1		
7	192465	HITCH, Implement Attaching (Prior to Serial #5202).	1		
8		BOLT, 1/2 - 13 x 1-1/2 Hex. Hd. } Hitch to Bracket	2		
9		NUT, 1/2 - 13 Hex. }	2		
10	193990	CHAIN, 5/16 x 37-1/2 - Attaching Strap Link	2	2	
11		PIN, 7/16 x 2-5/8 Clevis } Chain to Cylinder Bracket	2		
--		COTTER PIN, 1/8 x 1 }	2		
11A	193830	PIN, 3/4 x 2-1/2 Clevis } Hitch to Rod	1		
--		COTTER PIN, 5/32 x 1-1/2 }	1		
12	194093	PIN, 3/8 x 4 } Chain to Cylinder Bracket		1	
13		COTTER PIN, 1/8 x 1/2 }		2	
14	192456	CYLINDER ASSEMBLY, Hydraulic Booster <i>194643</i>	2	2	
		Consists of Body which is not serviced separately plus items listed below:			
15	192461	SHAFT, Piston	2	2	
16	192463	WIPER, Shaft (Felt)	2	2	
17	192343	WASHER, Back-Up (Leather)	2	2	
18	192462	"O" RING (Rubber)	2	2	
19	192473	PIN, 5/8 x 4-33/64 Clevis } Cylinder to Tractor	2	2	
--		WASHER, 5/8 Flat }			
20		COTTER PIN, 1/8 x 1 }			
21		PIN, 5/8 x 2-1/2 Clevis } Cylinder to Bracket	2	2	
22		COTTER PIN, 1/8 x 1 }			
23	192484	HOSE, Hydraulic, 3/8 x 8 (w/Couplings).	2		
24	192479	TUBE ASSEMBLY, R.H. } Tee to Cylinder Hose	1		
25	192481	TUBE ASSEMBLY, L.H. }	1		
26	194455	HOSE, Hydraulic, 3/8 x 9-1/4 Anchor	2	2	
27	192115	ADAPTER, Hose, 3/8	2	2	
28	194450	PIPE ASSEMBLY, R.H. } Tee to Cylinder Hose			
29	194451	PIPE ASSEMBLY, L.H. }	1	1	
30	192474	CLIP, Tube	1		
31	192483	TEE, Tubing, 3/4 x 16	1		
32	193658	TEE, 3/8 Pipe	1	1	
33	192478	TUBE ASSEMBLY, Main	1		
34	194453	PIPE, Main	1	2	
35	194396	HANGER, Main Pipe	1		
36	190600	CONNECTOR, Oil Line			5
37	194284	COUPLING, Straight Male			
38		NUT, 1/2 - 20 Hex. Jam (Connector).			10
39	9N-614	GASKET, Adapter			10
40	191164	UNION, Ell, 3/8 (Main Pipe).			10
41		ELL, Street, 3/8 (Tractor to Union).			

Jam Head
16 x 5/8

Group 4—CYLINDER ASSEMBLIES, BUCKET CONTROL



8000



Assembly, Bucket Control, for Model 19-23 (Prior)

FIG. 28	PART NO.	NAME AND DESCRIPTION	
		Group 4-1—CYLINDER ASSEMBLY, For Model 19-23 (Prior)	
-	192039	CYLINDER ASSEMBLY, Hydraulic Bucket Control	1
		Consists of:	
1	192137	CYLINDER (Welded Assembly)	1
2	192147	NUT, Packing	1
3	192149	WIPER, Packing Nut	1
4	192146	GLAND, Packing, Aluminum	1
5	192128	PACKING (Complete Set) (Includes 5 Rings)	1
6	192145	YOKE, Cylinder	1
7	192131	"O" RING	1
8	193961	WASHER, Piston Cup	2
9	192142	CUP, Piston	2
10	192143	SPACER, Piston Cup	1
11		NUT, 3/4 - 16 Hex. Slotted } Piston Shaft	1
12		COTTER PIN, 1/8 x 1-1/4 }	1
13	192140	SHAFT, Piston	1
14	194491 *	HEAD, Ram	1
15	193855	PIN, Pivot, Ram (Use With Old Ram Head)	1
16		FITTING, Lube, 1/8 - 27 Str. - Ram Head	1
-	192551	SLEEVE, Ram Head	1
17		BOLT, 5/8 - 11 x 5 Hex. Hd. }	1
18		WASHER, 5/8 Flat } Sleeve to Ram Head to Bucket	1
-		LOCKWASHER, 5/8 }	1
-		NUT, 5/8 - 11 Hex. }	1
19	192034	PIN, Pivot, Cylinder	2
20		COTTER PIN, 1/4 x 2-3/4 - Pin to Bracket	2
21	192025	BRACKET, Mounting, Cylinder, Outer (Welded Assembly)	1
22	192026	BRACKET, Mounting, Cylinder, Inner (Welded Assembly)	1
23		BOLT, 1/2 - 13 x 1-1/2 Hex. Hd. }	2
24		BOLT, 1/2 - 13 x 2-3/4 Hex. Hd. } Outer and Inner Bracket to Frame	1
25		BOLT, 1/2 - 13 x 3-1/2 Hex. Hd. }	3
--		LOCKWASHER, 1/2 }	6
--		NUT, 1/2 - 13 Hex. }	5
26	304503	ELL, Street, 3/8 - Cylinder	1
27	192103	COUPLING, Reducing, 3/8 to 1/4 - Pipe	1
28	192038	PIPE, Bucket Cylinder	1
29	192114	HOSE, Hydraulic, w/Male Couplings, 3/8	2
30	192115	ADAPTER, Hydraulic Hose, Female, 3/8	2
31	192040	PIPE, Bucket Cylinder Feedline, 3/8 x 61	2
32	191471	CLAMP ASSEMBLY	5
		Consists of Two Half Clamps which are not serviced separately, plus items listed below:	
--		BOLT, 1/4 - 20 x 1 Rd. Hd. Stove	10
--		LOCKWASHER, 1/4	10
--		NUT, 1/4 - 20 Sq.	10

* Pivot Pin #193855 is not needed with Ram Head #194491 — Use (1) Set Screw, 3/8 - 16 x 5/8 Socket Head.

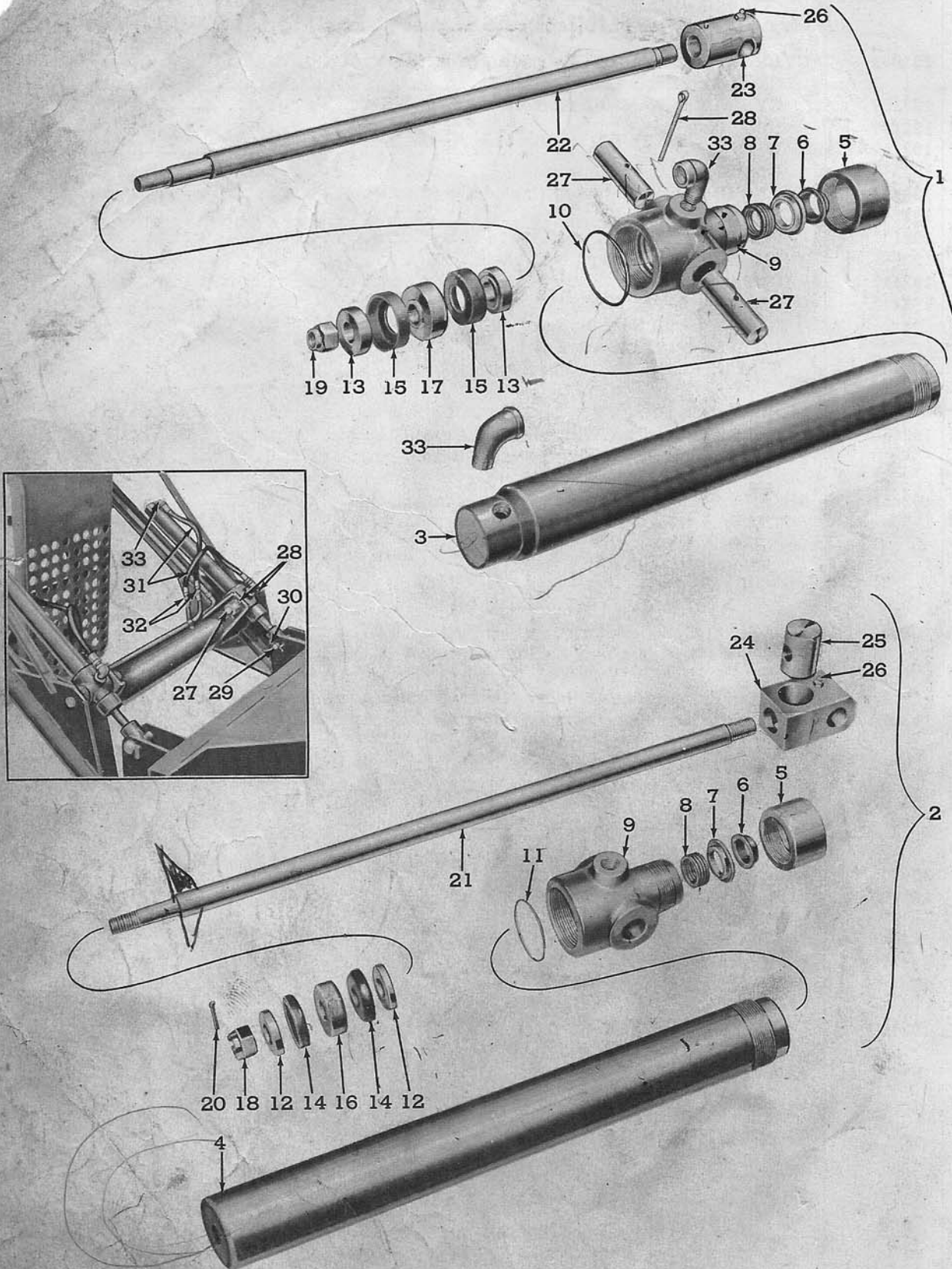


Figure 29 - Cylinder Assembly, Bucket Control, for Models 19-42 (Prior), 61 (Prior), 70, 71

DEARBORN

Loaders

MODELS 19-42 (Prior), 61 (Prior), 70, 71

FIG. 29	PART NO.	NAME AND DESCRIPTION	19-42, P	19-71
Group 4-2—CYLINDER ASSEMBLY, For Models 19-42(Prior), 61 (Prior), 70 & 71				
1	194481	CYLINDER ASSEMBLY, Hydraulic Bucket Control.....	-	2
2	193960	CYLINDER ASSEMBLY, Hydraulic Bucket Control.....	2	-
Consists of:				
3	194471	CYLINDER (Welded Assembly)	-	2
4	193923	CYLINDER (Welded Assembly)	2	-
5	192147	NUT, Packing	2	2
6	192149	WIPER, Packing Nut	2	2
7	192146	GLAND, Packing Aluminum	2	2
8	192128	PACKING (Complete Set) (Included 5 Rings)	2	2
9	192145	YOKE, Cylinder	2	2
10	192273	"O" RING	-	2
11	192131	"O" RING	2	-
12	193961	WASHER, Piston Cup	4	-
13	194466	WASHER, Piston Cup	-	4
14	192142	CUP, Piston	4	-
15	194464	CUP, Piston	-	4
16	192143	SPACER, Piston Cup	2	-
17	194467	SPACER, Piston Cup	-	2
18		NUT, 3/4 - 16 Hex. Slotted } Piston Shaft	2	-
19		NUT, 5/8 - 18 Lock }	-	2
20		COTTER PIN, 1/8 x 1-1/4 }	2	-
21	193854	SHAFT, Piston	2	-
22	194482	SHAFT, Piston	-	2
23	194491**	HEAD, Ram	2	2
24		HEAD, Ram -Use 194491.....	-	-
25	193855	PIN, Pivot Ram (Use With Old Ram Head).....	2	-
--		SET SCREW, 1/4 - 20 x 3/8 Socket Hd. - Pivot Pin	2	-
--	301475	SET SCREW, 3/8 - 16 x 5/8 Socket Head - Pivot Pin	-	2
26		FITTING, Lube, 1/8 - 27 Str. - Ram Head	2	2
27	193856	PIN, Pivot, 1 x 2-15/16 - Cyl. Yoke to Lift Arm	4	4
28		COTTER PIN, 1/4 x 2-3/4 - Pivot Pins	4	4
29	193916	PIN, Pivot, 1 x 3-7/16 - Cylinder to Bucket	2	2
30		COTTER PIN, 1/4 x 1-1/2 - Pivot Pins	2	2
31	192114	HOSE, Hydraulic, w/Male Couplings, 3/8	*	*
32	192115	ADAPTER, Hydraulic Hose, Female, 3/8	*	*
--	193931	PIPE, Bucket Cylinder	*	-
--	192103	COUPLING, Reducing, 3/8 to 1/4	*	-
33	304503	ELL, Street, 3/8	*	*

NOTE:

*See Hydraulic Lines Illustration for total quantities per unit.

**Pivot Pin #193855 is not needed with Ram Head #194491 — Use (1) Set Screw 3/8 - 16 x 5/8 Socket Head.

Group 5—HYDRAULIC LINES AND ATTACHMENTS

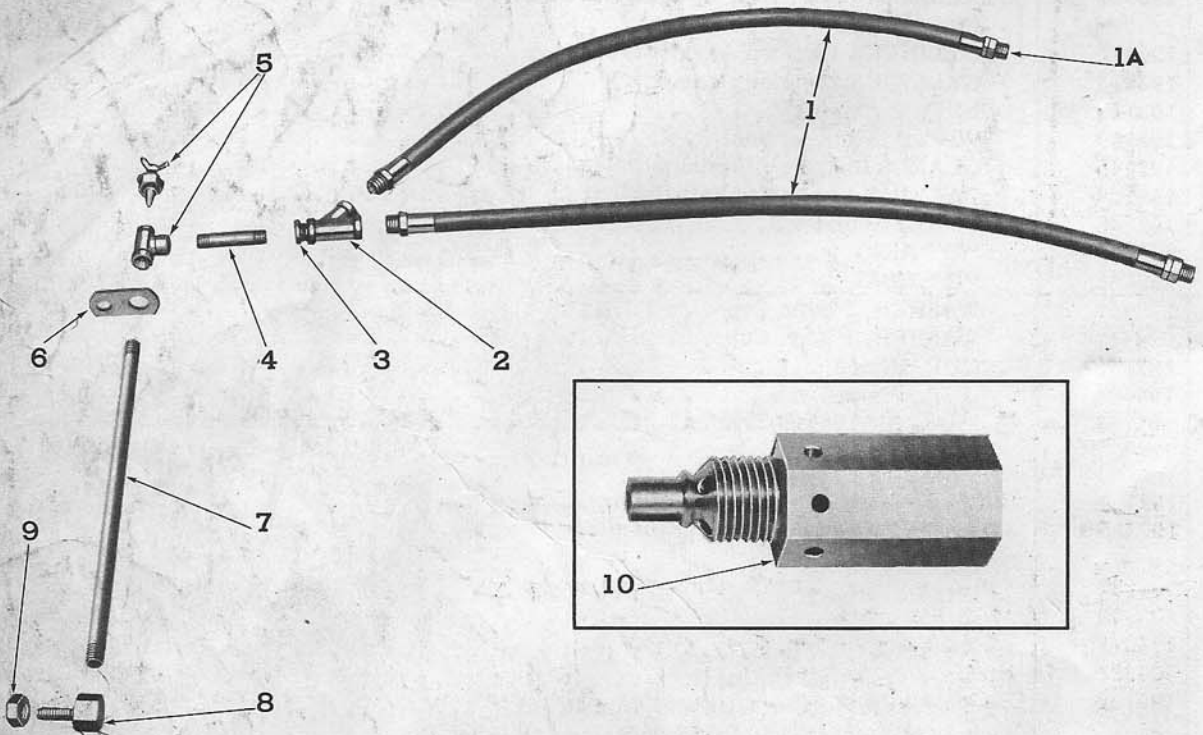


Figure 30 -Hydraulic Lines for Model 19-7 (Prior)

FIG. 30	PART NO.	NAME AND DESCRIPTION	QTY. REQ.
Group 5-1—HYDRAULIC LINES For Model 19-7 (Prior)			
1	192010	HOSE, Hydraulic, 1/2 x 34-1/2	2
1A	192011	ADAPTER, Hose, 1/2	2
2	190608	FITTING, 1/2 "Y"	1
3	190607	BUSHING, Reducing, 3/8 to 1/2	1
4	304062	NIPPLE, Pipe, 3/8 x 3	1
5	190605	VALVE ASSEMBLY, Needle	1
6	190603	BRACKET, Pipe to Tractor	1
7	190602	PIPE, 3/8 x 16.	1
8	190600	CONNECTION, Oil Line (Banjo Fitting)	1
9		NUT, 1/2 - 20 Hex. - Connection to Tractor	1
10	8N-638*	VALVE, Relief (Rear of Hydraulic Pump on Tractor)	1
*Relief Valve No. 8N-638 is the Standard Valve used in the rear of Pump Housing on Tractor.			

DEARBORN *Loaders*

MODEL 19-21

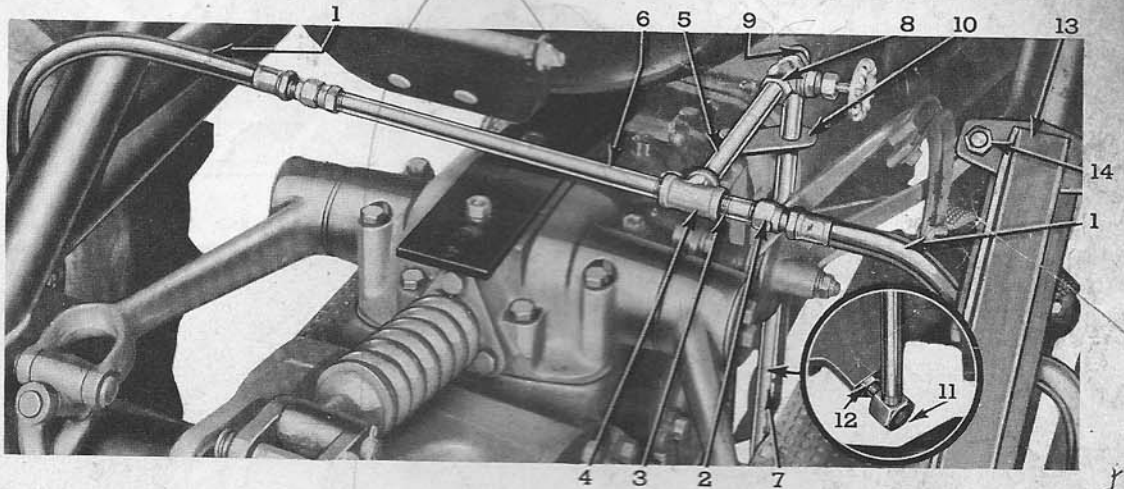


Figure 31 - Hydraulic Attachments for Model 19-21

FIG. 31	PART NO.	NAME AND DESCRIPTION	QTY. REQ.
Group 5-2—HYDRAULIC ATTACHMENTS For Model 19-21			
1	192114	HOSE, Hydraulic, w/Male Couplings, 3/8	2
2	192115	ADAPTER, Hydraulic Hose, Female, 3/8	2
3	304237	NIPPLE, Pipe, 3/8 x 2 - Hose Adapter to Tee	1
4	193658	TEE, Pipe, 3/8	1
5	304071	PIPE, Valve to Tee, 3/8 x 8-1/2	1
6	304382	PIPE, Hose to Tee, 3/8 x 12	1
7	192121	PIPE, Elbow to Connection, 3/8 x 18-1/2	1
8	192116	VALVE ASSEMBLY, Shut-Off	1
-	304008	NIPPLE, Close, 3/8 - Valve to Elbow	1
9	304540	ELBOW, Pipe, 3/8 - 90°	1
10	190603	BRACKET, Pipe to Tractor	1
11	190600	CONNECTION, Oil Line (Banjo Fitting)	1
12		NUT, 1/2 - 20 Hex. - Connection to Tractor	1
13	192181	BRACKET, Keeper, Tractor Lift Arm (Welded Assembly)	1
14	191475	U-BOLT, 1/2 - 13	2
-		LOCKWASHER, 1/2 } Bracket to Frame	4
-		NUT, 1/2 - 13 Hex. }	
-		BOLT, 5/8 - 18 x 2-1/4 Hex. Hd. }	1
-		LOCKWASHER, 5/8 }	
-		NUT, 5/8 - 18 Hex. }	
-	8 N-638	VALVE, Relief (Rear of Hydraulic Pump Housing on Tractor)	1

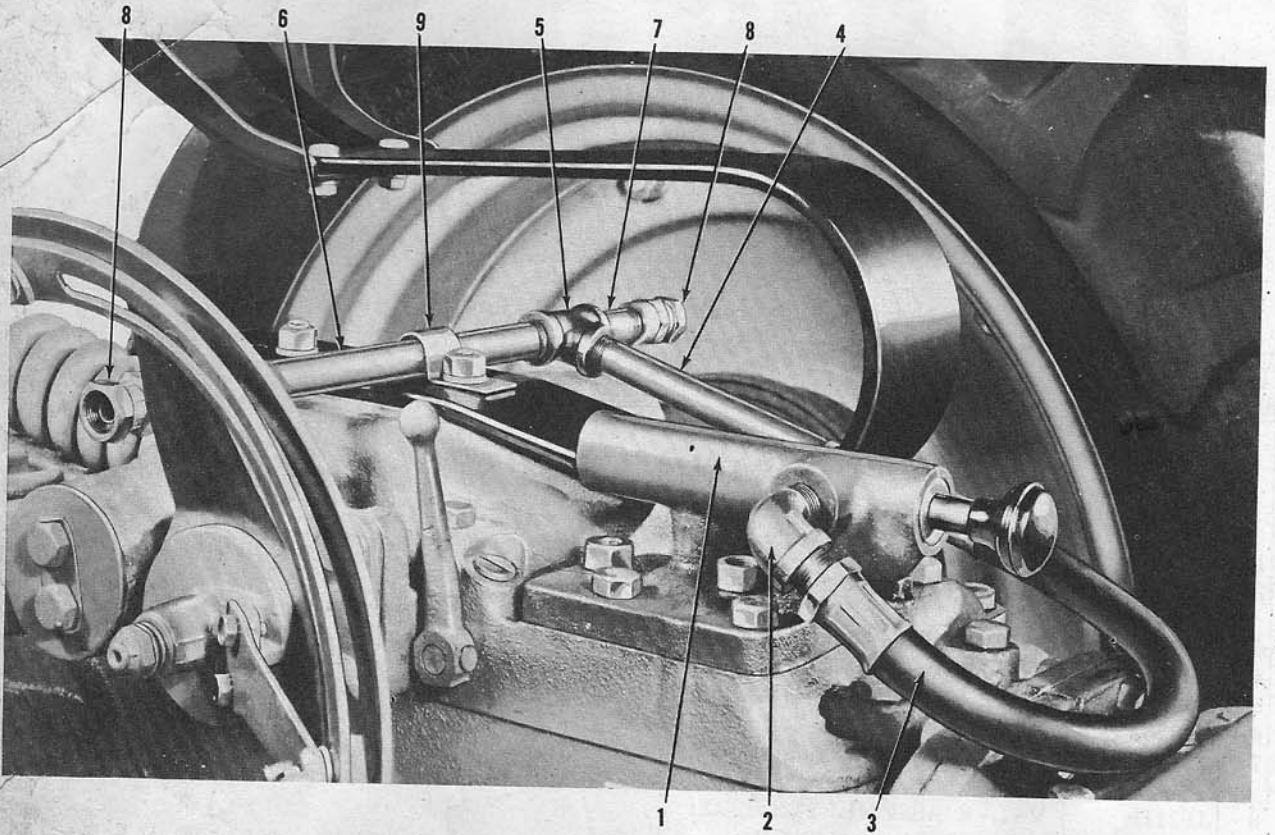


Figure 32 - Hydraulic Lines for Model 19-59

FIG. 32	PART NO.	NAME AND DESCRIPTION	QTY. REQ.
Group 5-3—HYDRAULIC LINES For Model 19-59			
1	23-10	SELEC-TROL VALVE (See Page 85 for Components)	1
2	304503	ELL, Street, 3/8 x 90° (Valve to Hose)	1
3	192114	HOSE, Hydraulic, w/Male Couplings, 3/8	1
4	192115	ADAPTER, Hydraulic, Hose, Female, 3/8	1
4	304071	NIPPLE, Pipe, 3/8 x 7-1/2 - Hose to Tee	1
5	193658	TEE, Pipe, 3/8 x 3/8 x 3/8 - Selec-Trol to Cross Line	1
6	304382	PIPE, 3/8 x 12 - Cylinder Hose to Tee	1
7	304237	NIPPLE, Pipe, 3/8 x 2 - Base to Tee	1
8	192115	ADAPTER, Hydraulic Hose, 3/8	2
9	194404	CLAMP, Pipe	1

DEARBORN *Loaders*

MODELS 19-22, 60

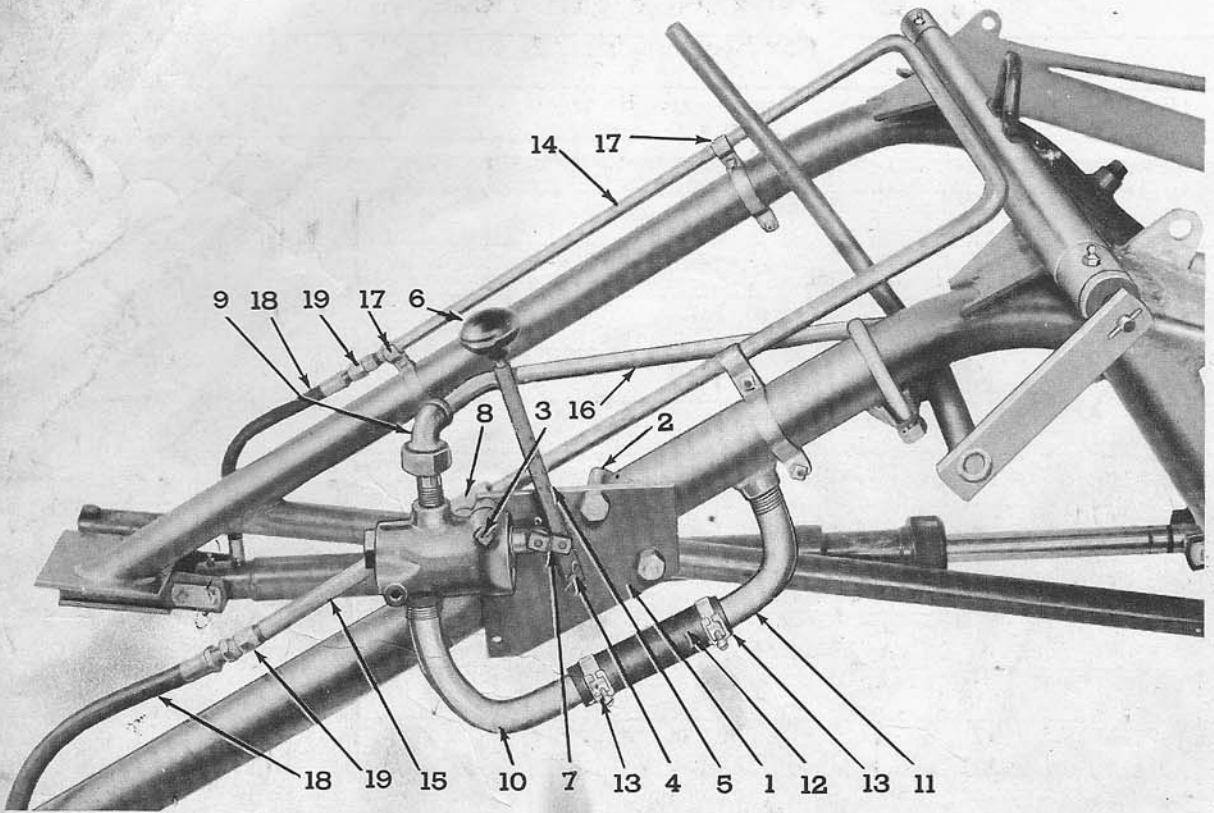


Figure 33 - Hydraulic Attachments for Models 19-22, 60

FIG. 33	PART NO.	NAME AND DESCRIPTION	QTY. REQ.
		Group 5-4—HYDRAULIC ATTACHMENTS For Models 19-22, 60	
-	191479	VALVE ASSEMBLY CONTROL (See Page 60 for details)	1
1	192046	PLATE, Mounting, Control Valve	1
2	191475	U-BOLT, 1/2 - 13	1
-		LOCKWASHER, 1/2 } Mounting Plate to Frame	2
-		NUT, 1/2 - 13 Hex. }	2
3	300890	BOLT, 5/16 - 18 x 3 Hex. Hd. }	1
-		LOCKWASHER, 5/16 } Mounting Plate to Valve	1
-		NUT, 5/16 - 18 Hex. }	1
4	190365	PIN, Pivot, Valve Lever	1
-		NUT, 3/8 - 24 Hex. }	1
-		COTTER-PIN, 1/8 x 3/4 } Pivot Pin	1
5	191345	LEVER, Control Valve	1
6	190369	KNOB, Control Valve Lever	1
7	191362	LINK, Control Valve to Lever	2
-	192171	PIN, Link (Rivet, 5/16 x 3/4 Rd. Hd. Drld.)	1
-	192172	PIN, Link (Rivet, 5/16 x 1-1/4 Rd. Hd. Drld.)	1
-		COTTER PIN, 1/8 x 3/4 - Link Pin	2

DEARBORN *Loaders*

MODELS 19-22, 60

FIG. 33	PART NO.	NAME AND DESCRIPTION	QTY. REQ.
Group 5-4—HYDRAULIC ATTACHMENTS For Models 19-22, 60 (Cont'd)			
8	191364	NIPPLE, Orifice, Control Valve Restrictor, 3/8	1
8	193658	TEE, Pipe, 3/8 x 3/8 x 3/8	1
-	304503	ELL, Street, 3/8 - Nipple to Tee (Not Shown)	1
9	191164	UNION, Pipe - Feed Line to Valve	1
10	192546	PIPE, Valve to Hose	1
11	192547	PIPE, Frame to Hose	1
12	194383	HOSE, Outlet, 1 x 8 1/2	1
13	190314	CLAMP, Hose, w/Screw (Aircraft Type)	2
14	192151	PIPE, Equalizer ("U" Shape)	1
15	304378	PIPE, Extension, 3/8 x 10	1
16	191359	PIPE, High Pressure Feed Line, 3/8 x 69-1/4	1
17	191471	CLAMP ASSEMBLY	5
		Consists of Two Half Clamps which are not serviced separately, plus items listed below:	
-		BOLT, 1/4 - 20 x 1 Rd. Hd. Stove	10
-		LOCKWASHER, 1/4	10
-		NUT, 1/4 - 20 Sq.	10
18	192114	HOSE, Hydraulic, w/Male Couplings, 3/8	2
19	192115	ADAPTER, Hydraulic Hose, Female, 3/8	2

221

180 29.00

40

220

221.00

2900

- 5000

DEARBORN *Loaders*

MODEL 19-23 (Prior)

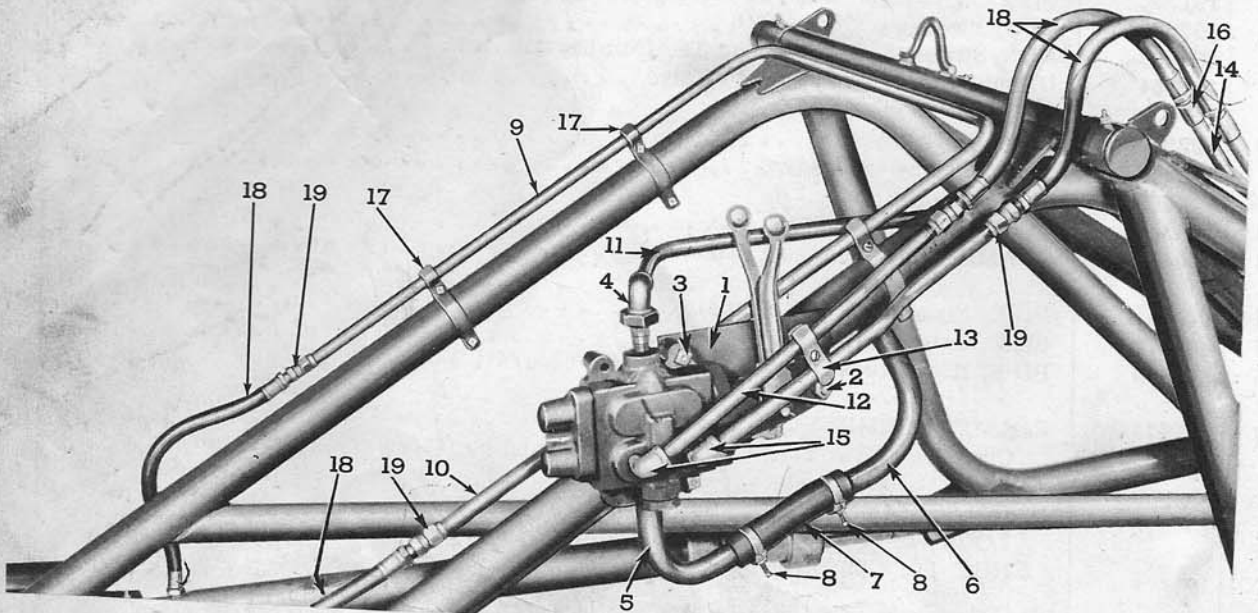


Figure 34 - Hydraulic Attachments for Model 19-23 (Prior)

FIG. 34	PART NO.	NAME AND DESCRIPTION	QTY. REQ.
		Group 5-5—HYDRAULIC ATTACHMENTS For Model 19-23 (Prior)	
-	194441	VALVE ASSEMBLY, Control (See Page 63 for Details)	1
1	192046	PLATE, Mounting, Valve	1
2	191475	U-BOLT, 1/2 - 13	1
-		LOCKWASHER, 1/2 } Mounting Plate to Frame	1
-		NUT, 1/2 - 13 Hex. }	2
3		BOLT, 5/16 - 18 x 2-1/4 Sq. Hd. } Mounting Plate to Valve	2
-		LOCKWASHER, 5/16 }	
-		NUT, 5/16 - 18 Hex. }	
-	191364	NIPPLE, Orifice, Control Valve Restrictor, 3/8 - Valve to Equalizer Pipe	1
-	193658	TEE, Pipe, 3/8 x 3/8 x 3/8 - Valve to Equalizer Pipe	1
4	191164	UNION, Pipe - Feedline to Valve	1
5	192547	PIPE, Valve to Hose	1
6	192548	PIPE, Frame to Hose	1
7	194383	HOSE, Outlet, 1 x 8 1/2	1
8	190314	CLAMP, Hose, w/Screw (Aircraft Type)	2

DEARBORN *Loaders*

MODEL 19-23 (Prior)

FIG. 34	PART NO.	NAME AND DESCRIPTION	QTY. REQ.
Group 5-5—HYDRAULIC ATTACHMENTS			
For Model 19-23 (Cont'd)			
9	192151	PIPE, Equalizer ("U" Shape)	1
10	304378	PIPE, Extension, 3/8 x 10	1
11	191359	PIPE, High Pressure Feed Line, 3/8 x 69-1/4	1
12	192109	PIPE, Valve Inlet, 3/8 x 15-3/8	2
13	191357	CLAMP ASSEMBLY	1
		Consists of Two Half Clamps which are not serviced separately, plus items listed below:	
		BOLT, 1/4 - 20 x 1 Rd. Hd. } Clamp	1
		LOCKWASHER, 1/4	
		NUT, 1/4 - 20 Hex	
14	192040	PIPE, Bucket Cylinder Feedline, 3/8 x 61	2
15	304503	ELL, Street, 3/8 - Valve	2
16	192021	COUPLING, Pipe, 3/8	2
17	191471	CLAMP ASSEMBLY, (Total per Unit 10)	5
		Consists of Two Half Clamps which are not serviced separately, plus items listed below:	
-		BOLT, 1/4 - 20 x 1 Rd. Hd. Stove	10
-		LOCKWASHER, 1/4	10
-		NUT, 1/4 - 20 Sq.	10
18	192114	HOSE, Hydraulic, w/Male Couplings, 3/8	4
19	192115	ADAPTER, Hydraulic Hose, Female, 3/8	4

DEARBORN *Loaders*

MODELS 19-42 (Prior), 61 (Prior), 70 & 71

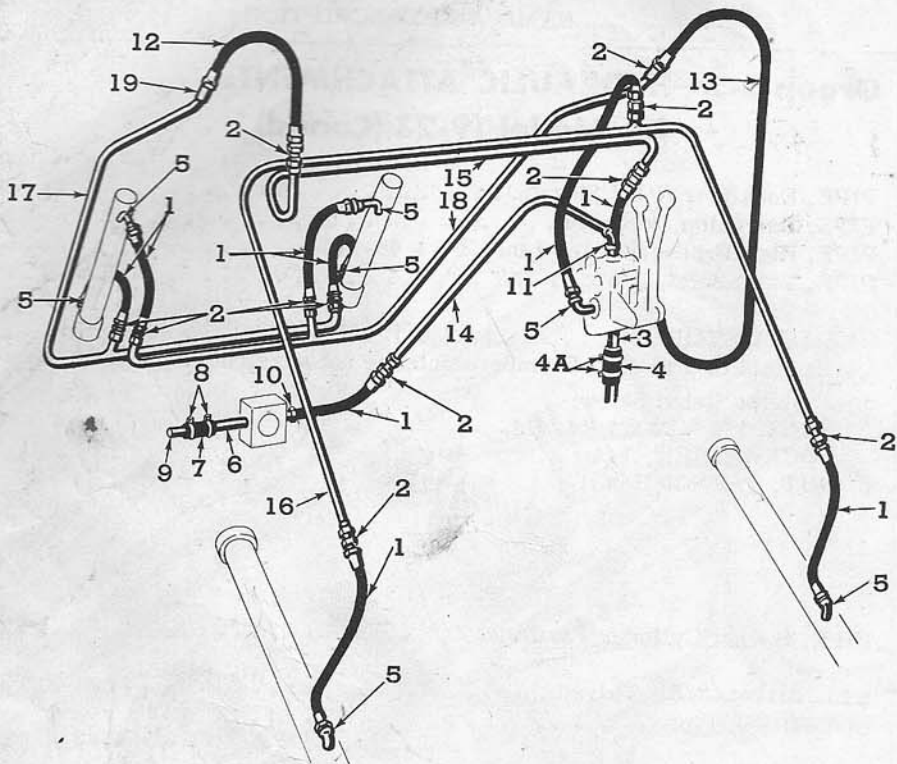


Figure 35 - Hydraulic Lines for Models 19-42 (Prior), 61 (Prior), 70 & 71

FIG. NO.	PART NO.	NAME AND DESCRIPTION	QTY. REQ.	
			19-42, 61	19-70, 71
Group 5-6—HYDRAULIC LINES				
1	192114	HOSE, Hydraulic, w/Male Couplings, 3/8	8	9
2	192115	ADAPTER, Hydraulic Hose, Female, 3/8	11	11
3	190395	NIPPLE, Pipe, 3/4 x 3, Valve Outlet	1	1
4	194383	HOSE, Rubber, 1 x 8-1/2 - Return	2	1
4A	190314	CLAMP, Hose, w/Screw (Aircraft Type) 1"	4	2
5	304503	ELL, Street, 3/8	7	9
--	304505	ELL, Street, 3/4	1	
--	304578	ELBOW, Pipe, 3/4	1	
--	193928	PIPE, Valve to Frame, 3/4 x 17-1/2	1	
--	193929	PIPE, Pump to Frame, 3/4	1	
6	194147	PIPE, Pump Inlet, 1 x 8	1	
7	194145	HOSE, Rubber, 1-1/4 I.D. x 4-1/2, Inlet		1
8	8CM8287	CLAMP, Hose, w/Screw (Aircraft type) 1-3/4"	1	1
9	194142	NIPPLE, Pump to Frame, 1 x 3		2
--	193931	PIPE, Bucket Cylinder, 1/4		1
--	192103	COUPLING, Reducing, 3/8 x 1/4	2	
10	304494	ELL, Street, 3/8 x 45 ^b (Outlet Side of Pump)	2	
10	190607	BUSHING, Reducing, 1/2 to 3/8	1	1
11	191164	UNION, Pipe, 3/8 - 90° (Ell Type)	1	1
12	194387	HOSE, Hydraulic, w/Male Couplings, 3/8 x 22	1	1
13	194480	HOSE, Hydraulic, w/Male Couplings, 3/8 x 32	2	1
--	193930	PIPE, Frame Valve to Pump	1	1
14	194153	PIPE, Pump to Valve, 3/8	1	-
15	194476	PIPE, Frame, Valve to Lift Arm		1
16	194478	PIPE, Frame, "U" Shape	1	1
17	193942	PIPE, Lift Arm, L. H.	1	1
18	193943	PIPE, Lift Arm, R. H.	1	1
19	192021	COUPLING, Pipe, 3/8	1	1
--	192593	BUSHING, Reducing, 1 to 3/4	1	1

DEARBORN *Loaders*

MODELS 19-8 (Prior), 8A (Prior)

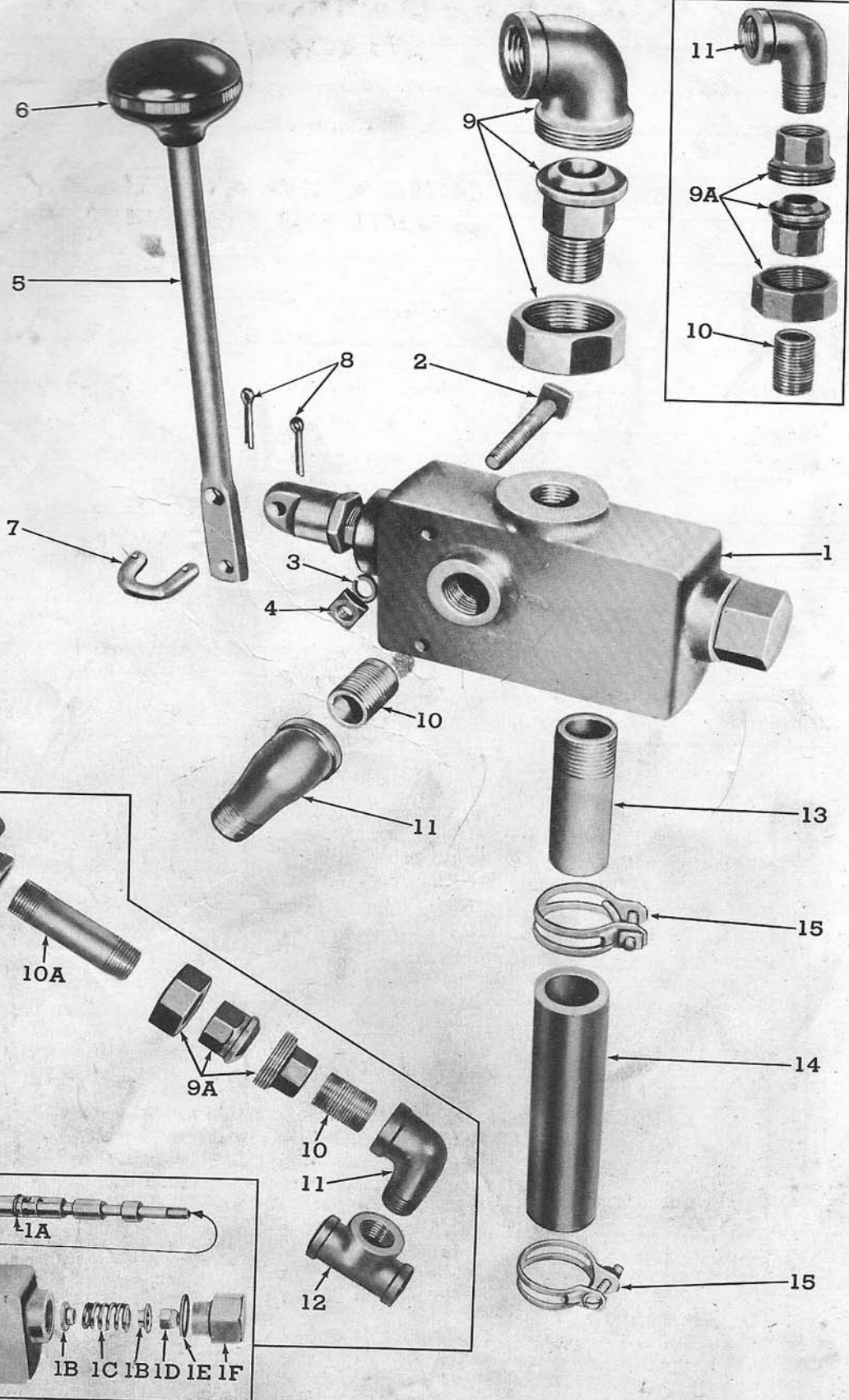


Figure 36 - Control Valve and Attachments for Models 19-8 (Prior) and 19-8A (Prior)

Group 6—CONTROL VALVE AND ATTACHMENTS

FIG. 36	PART NO.	NAME AND DESCRIPTION	QTY. REQ.	
			19-8	19-8A
Group 6-1—CONTROL VALVE AND ATTACHMENTS				
For Models 19-8 (Prior) and 19-8A (Prior)				
1	*	VALVE ASSEMBLY, Control.	1	1
		Consists of Valve Body and Piston Assembly which are not serviced separately plus items listed below:		
1A	190813	RING, Sealing, Rubber	1	1
1B	190814	RETAINER, Spring	2	2
1C	190815	SPRING	1	1
1D	190816	NUT, 3/8 - 24 Elastic Stop - Spring and Retainer to Piston	1	1
1E	190817	GASKET, Valve Cap	1	1
1F	190818	CAP, Valve	1	1
2		BOLT, 5/16 - 18 x 2-1/4 Sq. Hd. } Valve to Bracket	2	2
3		LOCKWASHER, 5/16		
4		NUT, 5/16 - 18 Sq.		
5	190368	LEVER, Control, Valve	1	1
6	190369	KNOB, Control Lever, Plastic	1	1
7	190342	LINK, Lever and Valve } Lever to Valve	1	1
8		COTTER PIN, 1/8 x 3/4		
9	190389	UNION, Pipe 1/2 x 90° Elbow - Feed Line to Valve (M and F Union)	-	1
9A	190273	UNION, Pipe 1/2 x 90° - Feed Line to Valve	2	-
10	304015	NIPPLE, Close, 1/2 x 1-1/2	2	1
10A	304072	NIPPLE, Pipe, 1/2 x 3	1	-
11	304486	ELL, Street, 1/2	3	1
12	190268	TEE, Pipe, 3/8 x 3/8 x 1/2	1	1
13	190395	NIPPLE, Pipe, 3/4 x 3 Valve Outlet	-	1
-	190312	NIPPLE, Pipe, 3/4 x 5-1/4 Outlet Valve	1	-
14	194383	HOSE, Outlet, 1 x 8 1/2	1	1
15	190314	CLAMP, Hose, 1	2	2
NOTE:				
*This Valve is replaced as a complete unit by Part #191743—				
Consists of Valve Body and Piston Assembly which are not serviced separately plus items listed below (Internal parts are identical to parts listed under Valve Assy. Part No. 191479 on Page 60):				
	191368	Link	2	
	192172	Pin	1	
	192191	Pin	1	
		Cotter Pin, 1/8 x 5/8	2	

DEARBORN *Loaders*

MODELS 19-22, 60

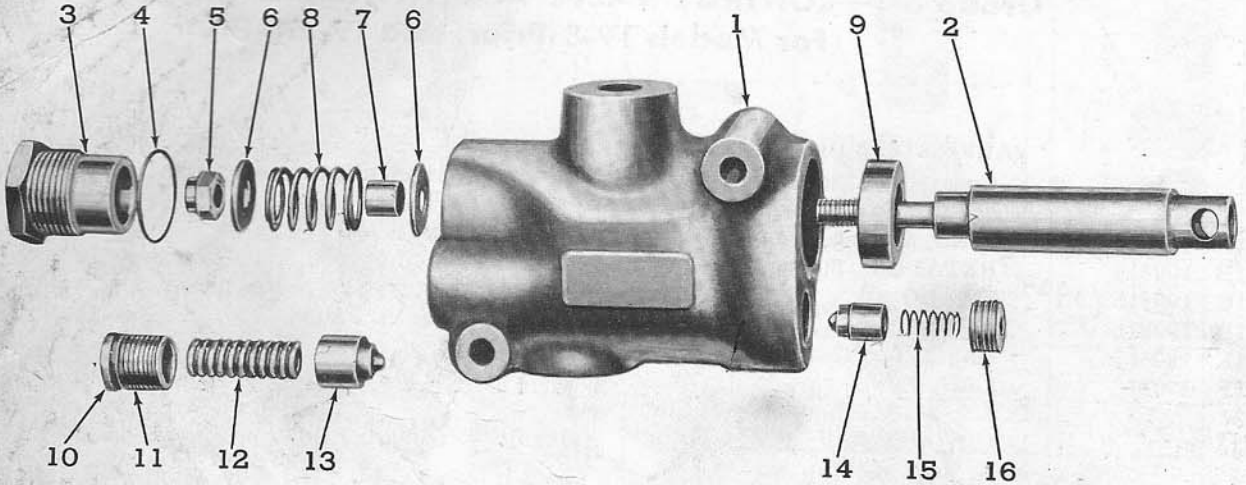


Figure 37 - Control Valve for Models 19-22, 60

FIG. 37	PART NO.	NAME AND DESCRIPTION	QTY. REQ.
		Group 6-2—CONTROL VALVE For Models 19-22 and 60	
1	191479	VALVE ASSEMBLY, Control (Less Lever)	1
		Consists of Body and Spool which are not serviced separately, plus items listed below:	
2		SPOOL	1
3	192282	CAP, Spool	1
4	192281	GASKET, Cap	1
5		NUT, 3/8 - 24 Lock	1
6	192207	WASHER, Flat, 3/8, 1/16 Thick } Spool	1
7	192277	SPACER, 7/16 Long	2
8	192205	SPRING, Spool	1
9	192269	SEAL, Oil	1
10	192273	"O" RING, 9/16 ID x 3/4 OD	1
-		PLUG, 13/16 Expansion	1
11	192272	CAP, Relief Valve	1
12	192271	SPRING, Relief Valve	1
13	192270	SLIDE, Relief Valve	1
14	192264	FOLLOWER & BALL ASSEMBLY	1
15	192267	SPRING, Check Valve	1
16		PLUG, Pipe, 3/8 Socket Hd.	1

DEARBORN

Loaders

MODELS 19-23 (Prior), 1942 (Prior), 61 (Prior), 70 & 71

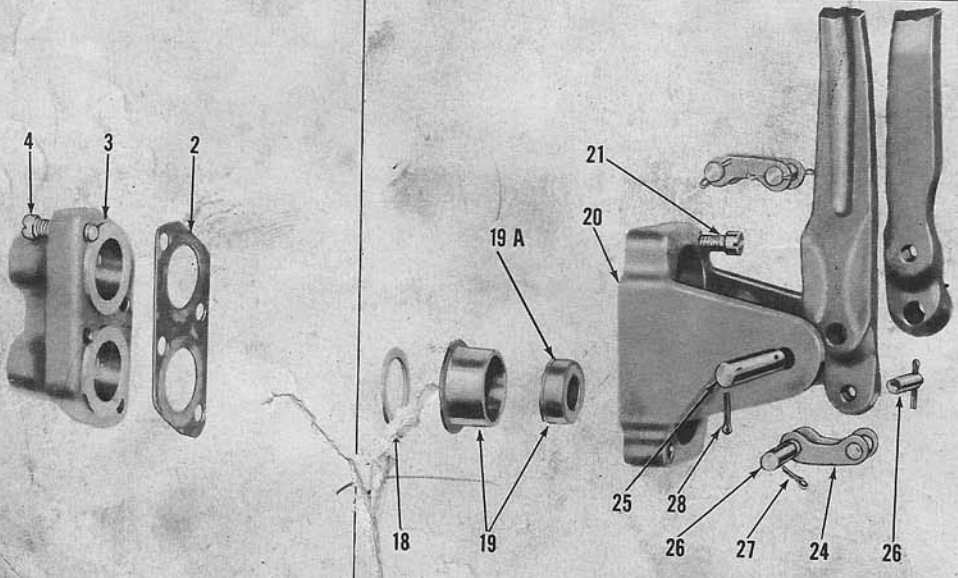
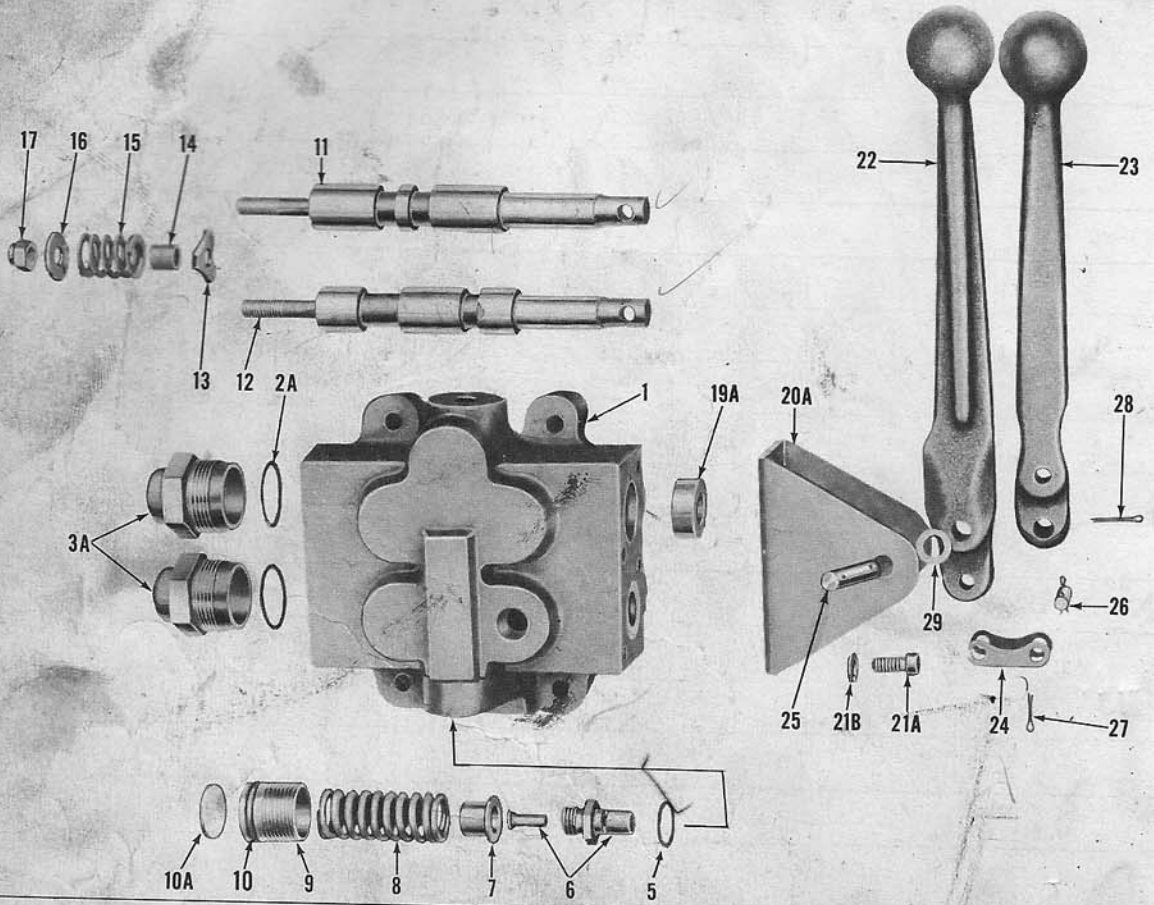


Figure 38 - Control Valve for Models 19-23 (Prior), 19-42 (Prior), 61 (Prior); 70 & 71

DEARBORN

Loaders

MODELS 19-23 (Prior), 19-42 (Prior), 61 (Prior), 70 & 71

FIG. 38	PART NO.	NAME AND DESCRIPTION	QTY. REQ.			
			193996	192524	194349	194441
Group 6-3—CONTROL VALVE For Models 19-23 (Prior), 19-42 (Prior), 61 (Prior), 70 & 71						
-	193996	VALVE ASSEMBLY, Control, Less Levers, For Model 19-42	1			
-	192524	VALVE ASSEMBLY, Control, Less Levers, For Model 19-23		1		
NOTE: Above valves have been superseded in production by the following:						
1	194349	VALVE ASSEMBLY, Control, Less Levers, For Model 19-42,61,70,71 . . .				1
-	194441	VALVE ASSEMBLY, Control, Less Levers, For Model 19-23				1
Consists of Body and Spools which are not serviced separately plus items listed below:						
2	192223	GASKET, Cap	1	1		
2A	194353	GASKET, Cap			2	2
3	193647	CAP, Valve	1	1		
3A	194351	CAP, Valve			2	2
4		SCREW, 5/16 - 18 x 1-1/4 Sl. Hd. - Cap to Body	4	4		
5	192237	GASKET, Barrel	1	1	1	1
6	193662	BARREL and PISTON ASSEMBLY	1	1	1	1
7	193650	FOLLOWER, Piston	1	1	1	1
8	192230	SPRING, Relief	1	1	1	1
9	193651	BONNET, Spring	1	1	1	1
10	193652	"O" Ring, 15/16 ID x 1-3/16 OD	1	1	1	1
10A		PLUG, 1-3/8 Dia., Expansion	1	1	1	1
11		SPOOL, 4 Way (Upper) (Not Serviced)	1	1	1	1
12		SPOOL, 3 Way (Lower) (Not Serviced)	1	1	1	1
13	192204	RETAINER, Spring	1	1	1	1
14	193636	SPACER, 3/8 Long, For 4-Way Spool	1	1	1	1
--	192213	SPACER, 1/2 Long, For 3-Way Spool	1	1	1	1
15	192205	SPRING, Spool	1	1	1	1
16	193637	WASHER, 3/8 Flat, 3/32 Thick } Spool	2	2	2	2
17		NUT, 3/8 - 24 Lock }	2	2	2	2
18	193641	GASKET, Adapter	2	2	2	2
19	193642	SEAL ASSEMBLY, Oil	2	2		
Consists of Retainer which is not serviced separately plus seal listed below:						
19A	192218	SEAL, Oil	2	2	2	2
20	193645	BRACKET, Mounting	1	1		
20A	194350	BRACKET, Lever			1	1
21		SCREW, 5/16 - 18 x 1-1/4 Sl. Hd. }	4	4		
21A		SCREW, 5/16 - 18 x 5/8 Sl. Hd. } Bracket to Body			4	4
21B		LOCKWASHER, 5/16	4	4	4	4
22	192522	LEVER, Control Valve, Long	1	1	1	1
23	192523	LEVER, Control Valve, Short	1	1	1	1
24	192242	LINK, Lever to Spool	4	4	4	4
25	192243	PIN, Pivot, Lever, Long	1	1	1	1
26	192244	PIN, Lever Link, Short	4	4	4	4
27		COTTER PIN, 1/16 x 1/2 - Link Pins	8	8	8	8
28		COTTER PIN, 1/16 x 1 } Pin to Link	2	2	2	2
29		WASHER, 3/8 Flat }				3
--		BOLT, 5/16 - 18 x 2-1/4 Sq. Hd. } Valve to Mounting Plate	2	2	2	2
--		LOCKWASHER, 5/16 }				
--		NUT, 5/16 - 18 Hex. }				

28285

DEARBORN *Loaders*

MODELS 19-8 (Prior), 19-8A (Prior)

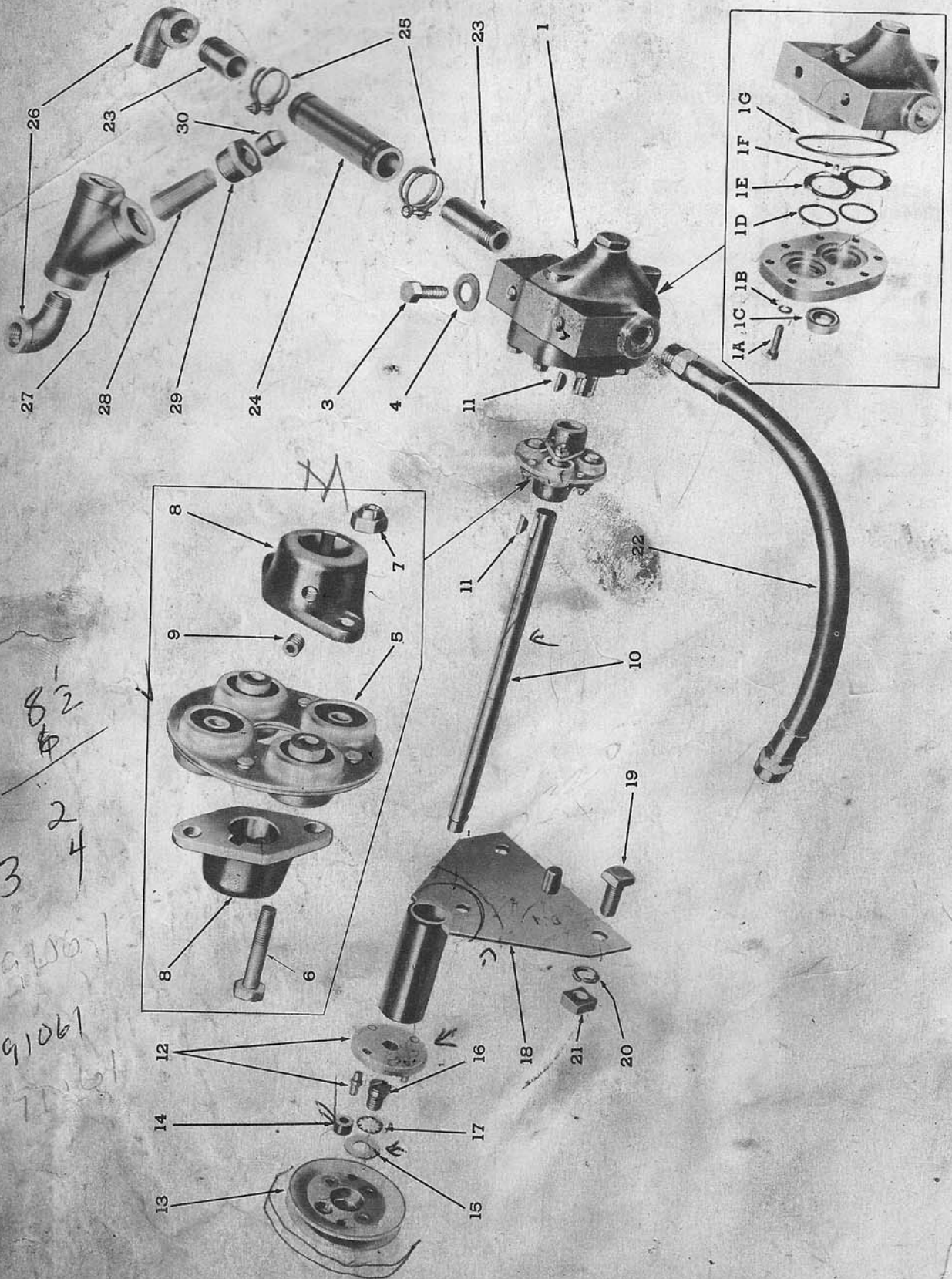


Figure 39 - Hydraulic Pump and Drive Parts for Models 19-8 (Prior) & 19-8A (Prior)

DEARBORN *Loaders*

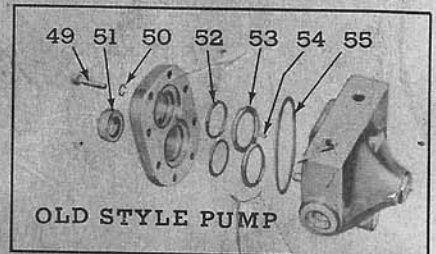
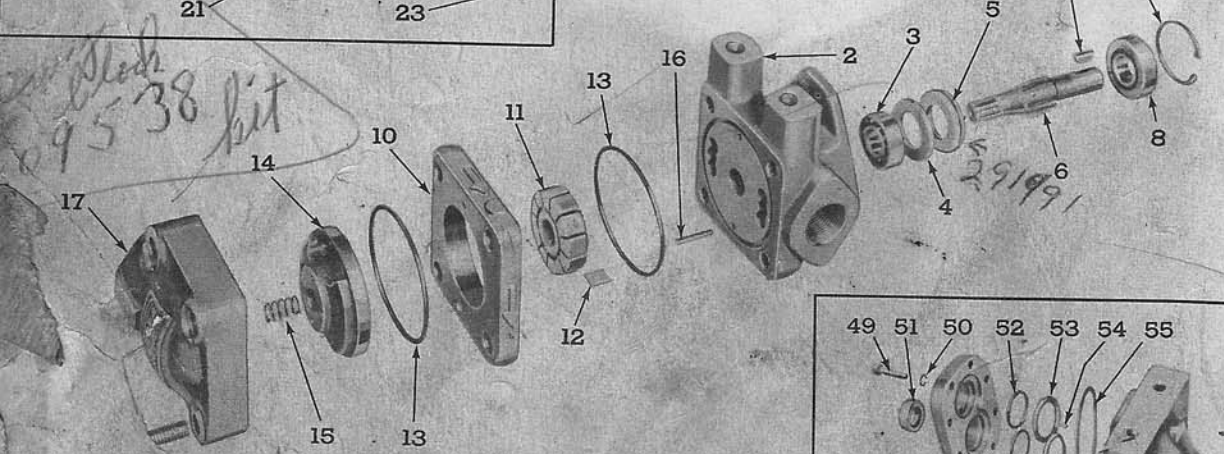
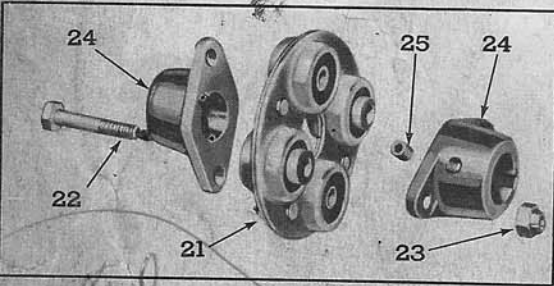
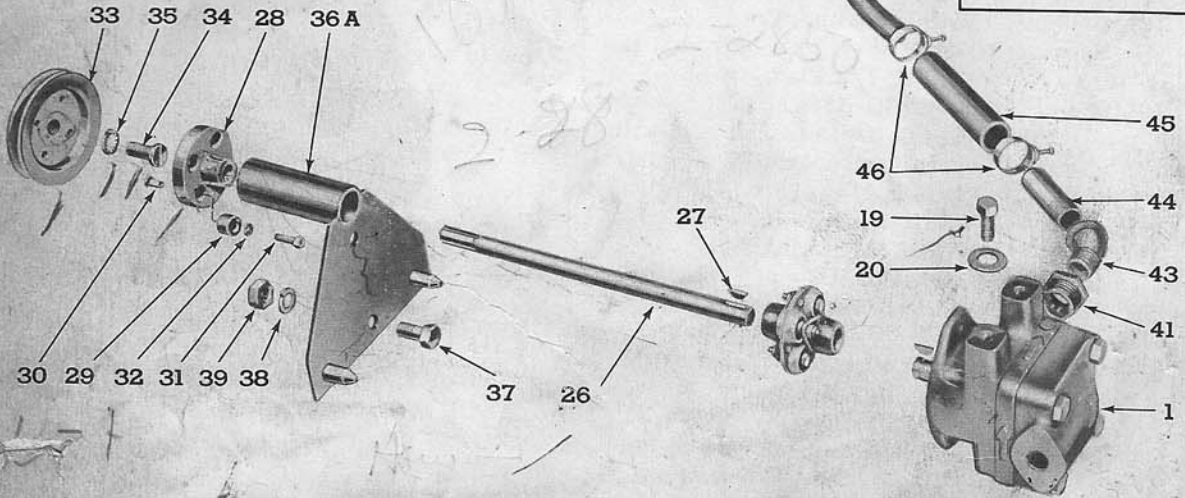
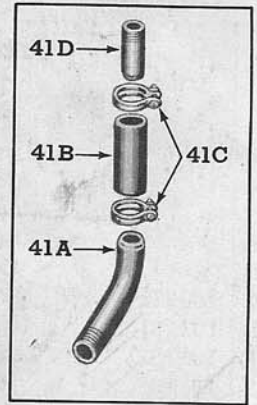
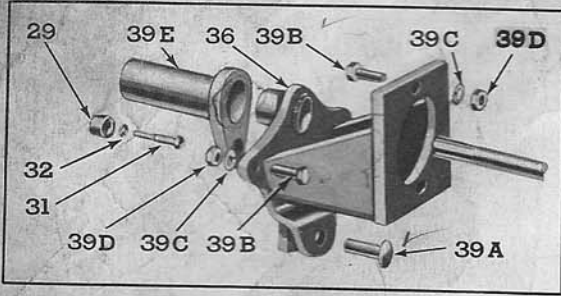
MODELS 19-8 (Prior), 19-8A (Prior)

FIG. 39	PART NO.	NAME AND DESCRIPTION	19-8	19-8A
Group 7-1—HYDRAULIC PUMP AND DRIVE PARTS				
For Models 19-8 (Prior) and 19-8A (Prior)				
1		PUMP ASSEMBLY, Hydraulic (Outlet and inlet on opposite sides. Part No. 190419 or 190444 was replaced as unit by #192504)	1	1
		Consists of Pump, Body, Poppet Assembly, Gear Shafts, Wear Plates and Cover which are not serviced separately plus items listed below:		
1A		BOLT, 5/16 - 18 x 1-1/4 Hex. Hd. } Cover to Body	8	8
1B		LOCKWASHER 5/16		
1C	190371	SEAL, Oil	1	1
1D	191181	RING, Sealing, Wear Plate	2	2
1E	191182	WASHER, Tension	1	1
1F	191183	PIN, Dowel, Wear Plate	1	1
1G	191184	RING, Sealing, Cover	1	1
3		BOLT, 1/2 - 13 x 1-1/4 Hex. Hd. } Pump to Mtg. Bracket	2	2
4		WASHER, 1/2 Plain		
5	191192	COUPLING ASSEMBLY, Center	1	1
		Consists of riveted Case with Rubber Blocks and Inserts, which is not serviced separately plus items listed below:		
6		BOLT, 1/4 - 28 x 1-1/4 Hex. Hd. } Coupling to Flange	4	4
7		NUT, 1/4 - 28 Hex. Lock		
8	191061	FLANGE ASSEMBLY	2	2
		Consists of Flange which is not serviced separately plus Set Screw listed below:		
9	300353	SET SCREW, 1/4 - 20 x 1/4 Allen, Ctsk. Hd. - Coupling Flange	2	2
10	190760	SHAFT, Drive	1	1
11		KEY, 3/16 x 3/4 Woodruff (Shaft)	2	2
12	191196	HUB, With Pins Assembly	1	1
13	192152	SHEAVE, Drive (Includes 4 Rubber Blocks)	1	1
14	190753	BLOCK, Rubber, Drive Sheave	4	4
15	300122	WASHER, 41/64 Flat	1	1
16	192167	BOLT, 5/8 - 18, Slotted Hd. (Special) } Sheave to Engine <i>4.00</i>	1	1
17		LOCKWASHER, 5/8	1	1
-	190771	PLATE, Suspension (Welded Assembly) (For Serial No. 9N-1 through 9N-167487)	-	-
18	190770	PLATE, Suspension (Welded Assembly) (For Serial No. 9N-1 through 9N-167487)	1	-
18	190382	PLATE, Suspension (Welded Assembly) (For Serial No. 9N-167488 onward)	1	1
19		BOLT, 5/8 - 11 x 1-1/2 Sq. Hd. } Tooth Plate to Frame	2	2
20		LOCKWASHER, 5/8, Internal		
21		NUT, 5/8 - 11 Sq.		
22	190943	HOSE, Hydraulic, 1/2 x 18 (With Couplings) - Pump to Feed Line	1	1
	190944	ADAPTER, Hose, 1/2	1	1
23	190395	NIPPLE, Pipe, 3/4 x 3 Pump Return (Cut to suit)	2	2
24	194383	HOSE, Return, 1 x 8 1/2	1	1
25	190314	CLAMP, Hose, 1	2	2
26	304505	ELL, Street, 3/4	2	2
--	190318	STRAINER ASSEMBLY	-	-
		Consists of:		
27	190736	FITTING, "Y", Strainer	-	-
28	190380	SCREEN, Strainer	-	-
29	190737	BUSHING, Reducing 1 x 1/2	-	-
30		PLUG, Pipe, 1/2 Sq. Hd.	-	-
		NOTE: Service parts for the old style Loader are available as follows a	1	1
		item numbers referred to are similarities only.		
5	190751	COUPLING ASSEMBLY, Center	1	1
		Consists of Case which is not serviced separately plus Rubber		
		listed below:	4	4
30	190753	BLOCK, Rubber, Coupling	4	4
31	300762	FLANGE, Coupling (Less Set Screw) (2 Pin Type)	4	4
32		HUB, With Pins Assembly (2 Pin Type)		

DEARBORN

Loaders

MODELS 19-22, 19-23 (Prior), 19-42 (Prior), 60,61 (Prior), 70 & 71



Pump and Drive Parts for Models 19-22, 19-23 (Prior), 19-42 (Prior), 60,61 (Prior), 70 & 71

DEARBORN *Loaders*

MODELS 19-22 and 23 (Prior), 19-42 (Prior), 60, 61 (Prior), 70 & 71

FIG. 40	PART NO.	NAME AND DESCRIPTION	QTY. REQ.			
			19-22, 23	19-42, 70	19-60	19-61, 71
		Group 7-2—HYDRAULIC PUMP AND DRIVE PARTS For Models 19-22, 23 (Prior), 19-42 (Prior), 60, 61 (Prior), 70 & 71				
1	192504	PUMP ASSEMBLY, Hydraulic	1	1	1	1
		Consists of:				
2	192559	BODY, Pump	1	1	1	1
3	192568	BEARING, Drive Shaft	1	1	1	1
4	192558	WASHER, Spacer	1	1	1	1
5	192562	SEAL, Drive Shaft Bearing	1	1	1	1
6	192561	SHAFT, Drive	1	1	1	1
7		KEY, Woodruff; 3/16 x 3/4	1	1	1	1
8	192569	BEARING, Drive Shaft	1	1	1	1
9	192589	RING, Snap	1	1	1	1
10	192563	HOUSING, Rotor	1	1	1	1
11	192564	ROTOR, Pump	1	1	1	1
12	192565	VANE, Rotor	12	12	12	12
13	192557	"O" Ring	2	2	2	2
14	192555	PLATE, Pressure	1	1	1	1
15	192556	SPRING, Pressure Plate	1	1	1	1
16	192591	PIN	2	2	2	2
17	192560	COVER, Pump	1	1	1	1
18	192592	CAPSCREW, 1/2 - 13 x 2-11/16 Hex. Hd. (Cover)	4	4	4	
--	192043	ANGLE, Mounting, Pump (See Figure 53)	1			
--		BOLT, 1/2 - 13 x 1-1/2 Hex. Hd.	2			
--		WASHER, 1/2 Flat	4			
--		NUT, 1/2 - 13 Hex.	2			
19		BOLT, 1/2 - 13 x 1-1/4 Hex. Hd.				
20		WASHER, 1/2 Flat				
		} Angle to Bumper				
		} Pump to Mounting Angle				
21	192169	COUPLING ASSEMBLY, Center (Riveted Assembly)	1	1	1	1
		Consists of Case w/Rubber Blocks and Inserts which are not serviced separately.				
22		BOLT, 5/16 - 24 x 1-5/8 Hex. Hd.				
23		NUT, 5/16 - 24 Lock				
		} Center Coupling to Flange	4	4	4	4
24	192199	FLANGE ASSEMBLY	2	2	2	2
		Consists of Flange which is not serviced separately, plus Set Screws listed below:				
25	300353	SET SCREW, 1/4 - 20 x 1/2 Cup Point, Socket Hd.	2	2	2	2
26	194355	SHAFT, Drive, 3/4 x 9-3/16		1	1	1
-	194354	SHAFT, Drive, 3/4 x 12-15/16	1	-	-	-
-	193870	SHAFT, Drive, 3/4 x 9				
27		KEY, Woodruff, 3/16 x 3/4 (One included w/Pump)		1		
-	194340	HUB ASSEMBLY (Spline Shaft End)	2	2	2	2
		Consists of Hub which is not serviced separately, plus items listed below:				
-	194341	HUB, Coupling				
-	194343	BLOCK, Rubber (Grommets)				
-	194342	INSERT, Rubber Block (Bushing)				
-		BOLT, 7/16 - 14 x 1-1/4 Hex.				
-		LOCKWASHER, 7/16				
		} Hub to Sheave			4	4
28	192161	HUB ASSEMBLY (Spline Shaft End)	1	1		
		Consists of Hub which is not serviced separately, plus items listed below:				
29	190753	BLOCK, Rubber (Grommets)	4	4		
30	192164	INSERT, Rubber Block (Bushing)	4	4		
31	300376	BOLT, 1/4 - 28 x 1 Socket Hd.				
32		LOCKWASHER, 1/4				
		} Hub to Sheave	4	4		

DEARBORN *Loaders*

MODELS 19-22 and 23 (Prior), 19-42 (Prior), 60,61 (Prior), 70 & 71

FIG. 40	PART NO.	NAME AND DESCRIPTION	QTY. REQ.			
			19-22,23	19-42,70	19-60	19-61,71
Group 7-2—HYDRAULIC PUMP AND DRIVE PARTS (Cont'd)						
33	192160	SHEAVE, Drive				
--		PIN, Dowel 1/4 x 3/4 - Sheave to Crankshaft	1	1		
34	192167	CAPSCREW, 5/8 - 18 x 7/8, Slotted Hd. (Spec.)	1	1		
--	194344	CAPSCREW, 5/8 - 18 x 1-3/16	1	1		
35		LOCKWASHER, 5/8, Internal			1	1
--		WASHER, 5/8, Flat			1	1
		} Sheave to Crankshaft				
36	194241	PLATE, Suspension (Welded Assembly)				
36A	192153	PLATE, Suspension (Welded Assembly)		1	1	1
37		BOLT, 5/8 - 18 x 1-5/8 Hex. Hd.	1			
--		WASHER, 5/8 Flat (Spacers)	1			
38		LOCKWASHER, 5/8	3			
39		NUT, 5/8 - 18 Hex.	1			
		} Plate to Frame				
39A	194094	PIN, 3/4 x 2-1/4 (Rivet)				
--		COTTER PIN, 3/16 x 1-1/4		1	1	1
39B		BOLT, 3/8 - 16 x 1-1/4 Hex.	1	1	1	1
39C		LOCKWASHER, 3/8	4	2	2	2
39D		NUT, 3/8 - 16 Hex.	4	2	2	2
		} Plate to Pump & Axle Support				
39E	NAA-3126A	PIN, Axle (Welded Assembly)	1			
--		BOLT, 1/2 - 20 x 1-1/2 Hex.	1	1	1	1
--		LOCKWASHER, 1/2	1	1	1	1
--		BOLT, 5/8 - 18 x 1-1/2 Hex.	1	1	1	1
--		LOCKWASHER, 5/8		1	1	1
		} Pin to Plate				
	190607	BUSHING, Reducing, 1/2 to 3/8 - Pump, Right Side	1	1	1	1
	304494	ELL, Street, 3/8 x 45°		1	1	1
	192593	BUSHING, Reducer, 1 to 3/4 (Not on Models 19-70,71)		1	1	1
41A	194147	PIPE, Pump Inlet, 1 x 8 (Models 19-70,71 Only)	1	1	1	1
41B	194145	HOSE, Inlet, 1-1/4 I.D. x 4-1/2 (Models 19-70,71 Only)		1	1	1
41C	8CM-8287	CLAMP, Hose w/Screws (Models 19-70,71 Only)		1	1	1
41D	194142	NIPPLE, Hose to Frame, 1 x 3 (Models 19-70,71 Only)		1	1	1
42	192114	HOSE, Hydraulic, w/Male Couplings, 3/8	1	1	1	1
--	192115	ADAPTER, Hydraulic Hose, Female, 3/8 - Hose to Pipe	1	1	1	1
43	304496	ELL, Street, 3/4 - 45° - Pump, Left Side	1	1	1	1
44	190395	NIPPLE, Pipe, 3/4 x 3 (Relocated on Models 19-70,71)	1	1	1	1
45	194383	HOSE, Outlet, 1 x 8-1/2	1	2	1	2
46	190314	CLAMP, Hose, w/SCREW (Aircraft Type) (Not on Models 19-70,71)	2	2	2	2
47	194382	PIPE, Frame to Pump	1		1	
--	193929	PIPE, Frame to Pump (Not on Models 19-70,71)				
48	304578	ELBOW, Pipe, 3/4 - 90° (Not on Models 19-70,71)	1	1	1	1
		*PUMP ASSEMBLY, Hydraulic.	1			
		Consists of Body, Poppet Assembly, Gears, Gear Shafts, Wear Plates and Cover which are not serviced separately, plus items listed below:				
		BOLT, 5/16 - 18 x 1-1/4 Hex. Hd.				
		LOCKWASHER, 5/16				
		} Cover to Body				
49	190371	SEAL, Oil	8			
50	191181	RING, Sealing, Wear Plate	1			
51	191182	WASHER, Tension	2			
52	1911	PIN, Dowel, Wear Plate	1			
53	191,84	RING, Sealing, Cover	1			
54			1			
55			1			

NOTE:

*The old style (Pesco) Pump is no longer serviced as a complete unit. Replaced by Part Number 192504 Pump Assembly. Interchangeable by adding a Bushing - Item 41.

Group 8—BUCKET ASSEMBLIES, MATERIAL AND FORK TYPES

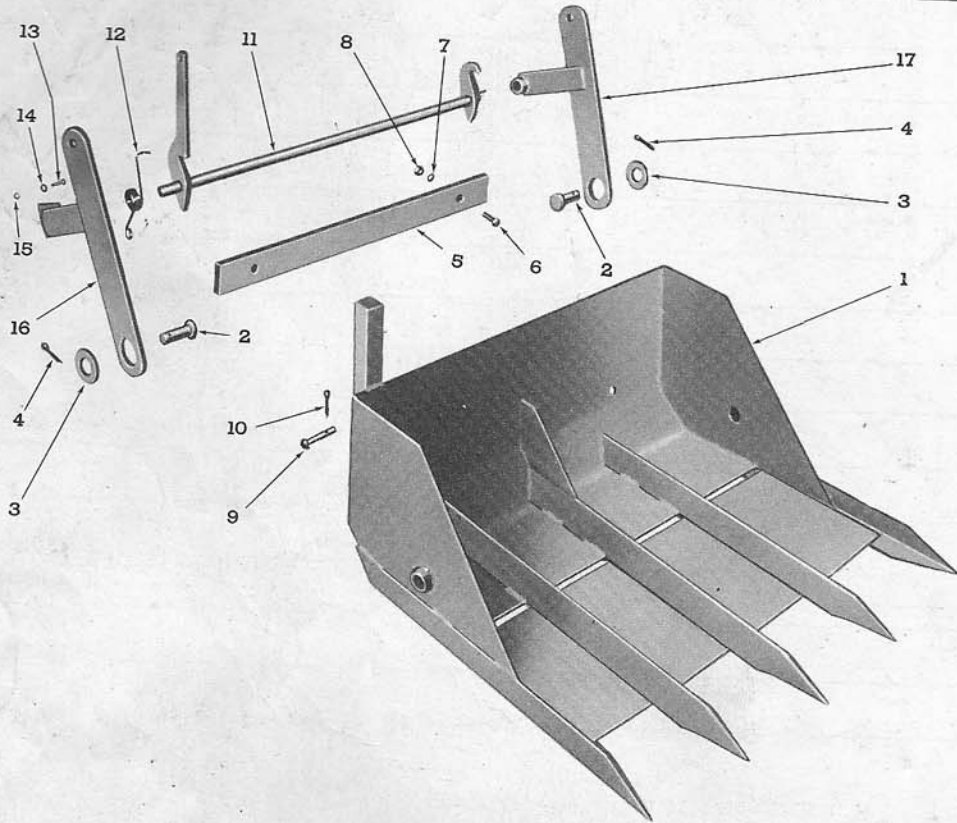


Figure 41 - Bucket for Model 19-7 (Prior)

FIG.	PART NO.	NAME AND DESCRIPTION	QTY. REQ.
41			
		Group 8-1—BUCKET For Model 19-7 (Prior)	
-	190619	BUCKET ASSEMBLY Consists of Welded Bucket which is not serviced separately plus items listed below:	1
1	190629	PLATE, Dirt	1
2	190623	PIN, Pivot.	1
3		WASHER, 1 Plain	2
4		COTTER PIN, 1/4 x 1-1/2 } Pivot Pin	2
5	190639	BAR, Bucket Return	2
6		BOLT, 7/16 - 20 x 1-1/2 Hex. Hd.	2
7		LOCKWASHER, 7/16	2
8		NUT, 7/16 - 20 Hex.	2
9	300123	PIN, 3/8 x 2-1/2 (Drilled Rivet) } Bucket Latch	2
10		COTTER PIN, 1/4 x 1	2
11	190647	SHAFT and LATCH, Trip (Welded Assembly)	1
12	190682	SPRING, Latch and Trip Lever	1
13		BOLT, 1/4 - 28 x 1 Hex. Hd.	1
14		WASHER, 1/4 Plain	1
15		NUT, 1/4 - 28 Hex.	1
16	190710	RELEASE, Bucket, RH. (Welded Assembly)	1
17	190711	RELEASE, Bucket, LH. (Welded Assembly)	1

DEARBORN *Loaders*

MODELS 19-8 (Prior), and 19-8A(Prior)

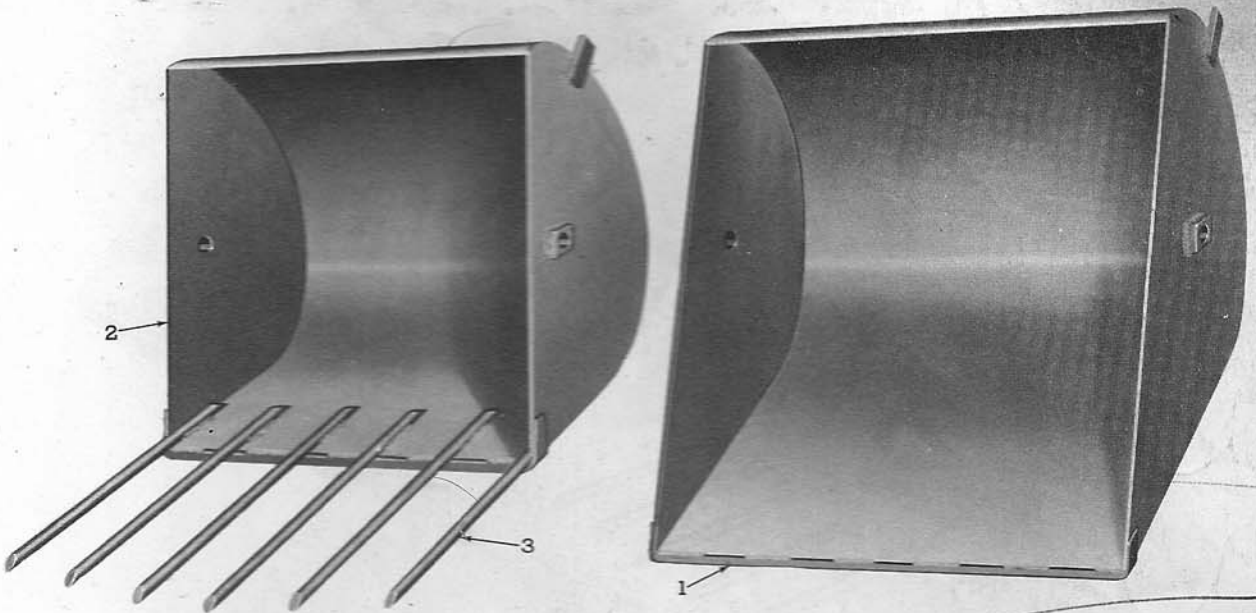


Figure 42 - Buckets for Models 19-8 (Prior), and 19-8A(Prior)

FIG. 42	MODELS	NAME AND DESCRIPTION	QTY. REQ.
Group 8-2—BUCKETS For 19-8 (Prior) and 19-8A (Prior)			
1	19-9	BUCKET ASSEMBLY, Material Type	1
1	19-9A	BUCKET ASSEMBLY, Material Type	1
2	19-10	BUCKET ASSEMBLY, Manure Fork Type	1
2	19-10A	BUCKET ASSEMBLY, Manure Fork Type	1
3	190510	TINE, Fork	6

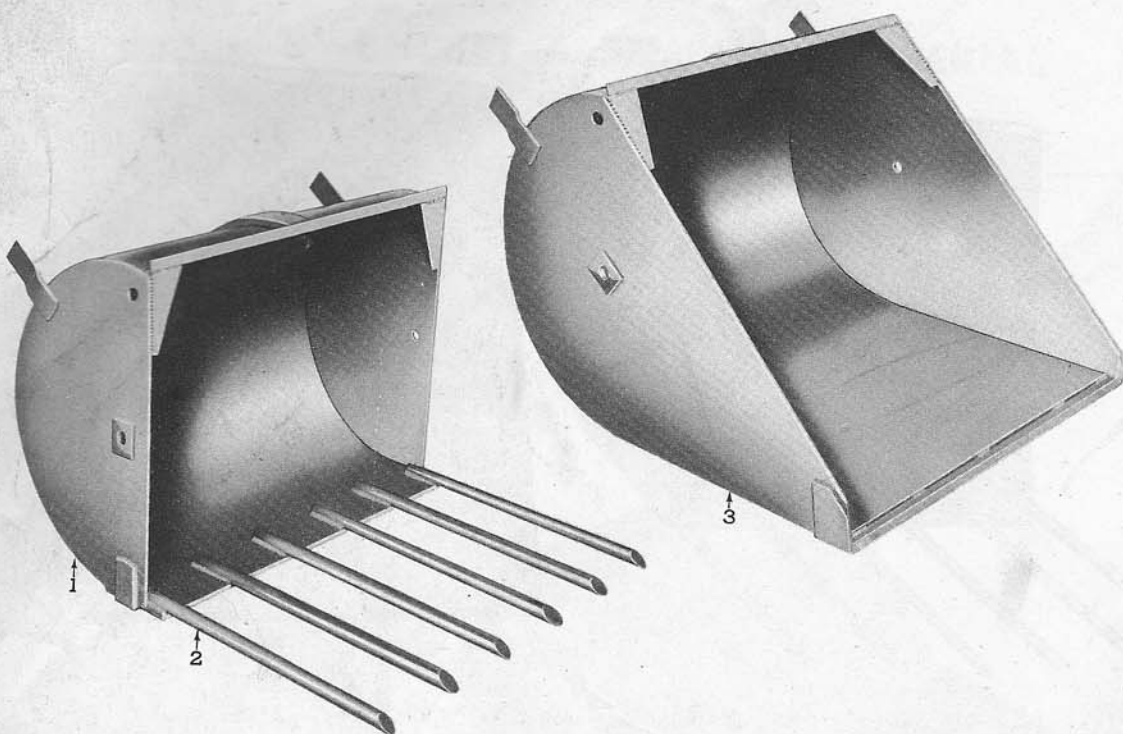


Figure 43 - Buckets, Models 19-31, 32

FIG. 43	PART NO.	DESCRIPTION	QTY. REQ.
Group 8-3—BUCKETS For Models 19-21, 22, 23 (Prior), 59 and 60			
1	Model 19-32	BUCKET ASSEMBLY, Manure Fork Type	1
2	190510	TINE, Fork	6
3	Model 19-31	BUCKET ASSEMBLY, Material Type	1
NOTE:			
The Bucket Assembly is considered to be optional equipment to the Loader and is governed by the customers required usage. Therefore, the Bucket is not furnished under the model numbers of the Loaders and should be ordered separately.			
When the Hydraulic Bucket Control Cylinder is used and it is necessary to replace the Bucket Assembly with Serial numbers prior to the following:			
Model 19-31 Bucket Assembly, Serial #5059			
Model 19-32 Bucket Assembly, Serial #3295			
It will be necessary to replace the Pin & Clip Assembly, Pt. No. 190337, that was previously used (Attaching the control cylinder to the Bucket) with the parts listed below:			
192551	Sleeve	(1)	
	Bolt, 5/8 - 11 x 5 Hex. Hd.	(1)	
	Lockwasher, 5/8	(1)	
	Nut, 5/8 - 11 Hex.	(1)	
} See Figure 28			
194498	Yoke and Gusset Assembly		1
Adapts Model 19-31, & 32 Buckets to Model 19-23 Loader. Effective with Serial #16405 on Model 19-31 and with Serial #17851 on Model 19-32.			

DEARBORN *Loaders*

MODELS 19-21, 22, 59, & 60

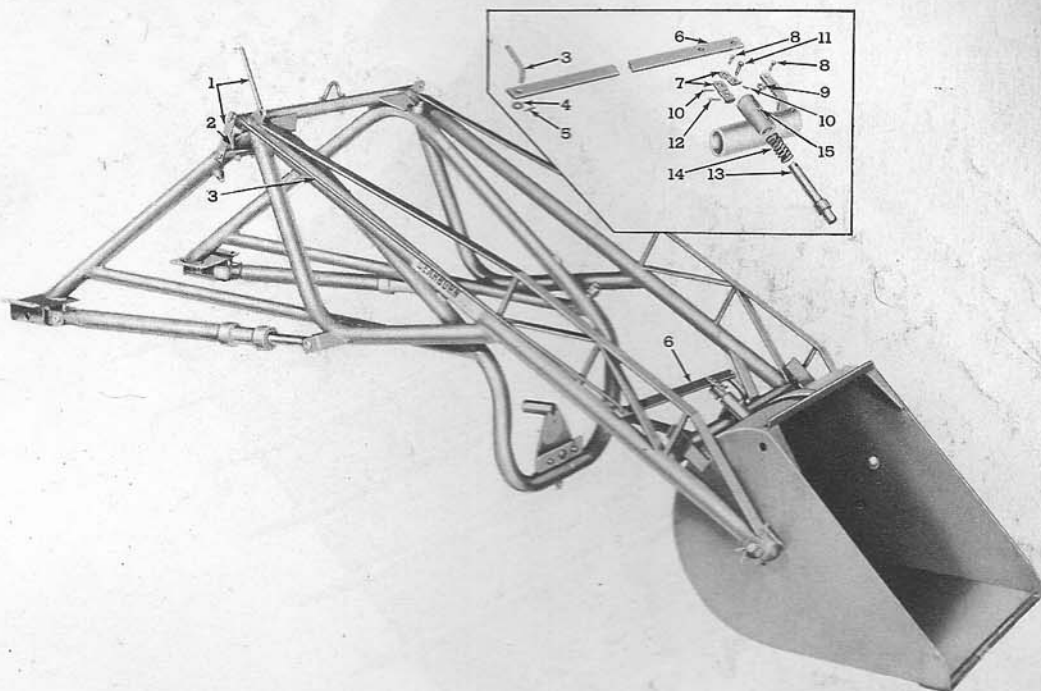


Figure 44 - Bucket Release Assembly for Models 19-21, 22, 59, & 60

FIG. 44	PART NO.	NAME AND DESCRIPTION	QTY. REQ.
Group 8-3A—BUCKET RELEASE ASSEMBLY For Models 19-21, 22, 59 and 60			
1	191356	LEVER, Release (Welded Assembly)	1
2	191475	U-BOLT, 1/2 - 13	1
-		NUT, 1/2 - 13 Hex. } Lever to Frame	2
-		LOCKWASHER, 1/2 }	2
3	191363	ROD, Release	1
4		WASHER, 3/8 Flat - Rod to Bar	1
5		COTTER PIN, 1/8 x 3/4 - Rod to Bar and Lever	2
6	190331	BAR, Latch Control	1
7	190353	LINK, Latch	2
8	300116	PIN, 3/8 x 1 (Drld. Rivet)	1
8	192075	PIN, 3/8 x 1-1/4 (Drld. Rivet) } Bar to Links and Pivot Point	1
9		WASHER, 3/8 Flat	2
10		COTTER PIN, 1/8 x 3/4	2
11	303869	PIN, 3/8 x 1-1/2 (Drld. Rivet) } Links to Latch Pin	1
12		COTTER PIN, 1/8 x 3/4	
13	190359	PIN, Latch	1
14	190339	SPRING, Latch Pin	1
15		FITTING, Lube, 1/8 - 27 Str. - Latch Housing	1

DEARBORN *Loaders*

MODELS 19-29, 65

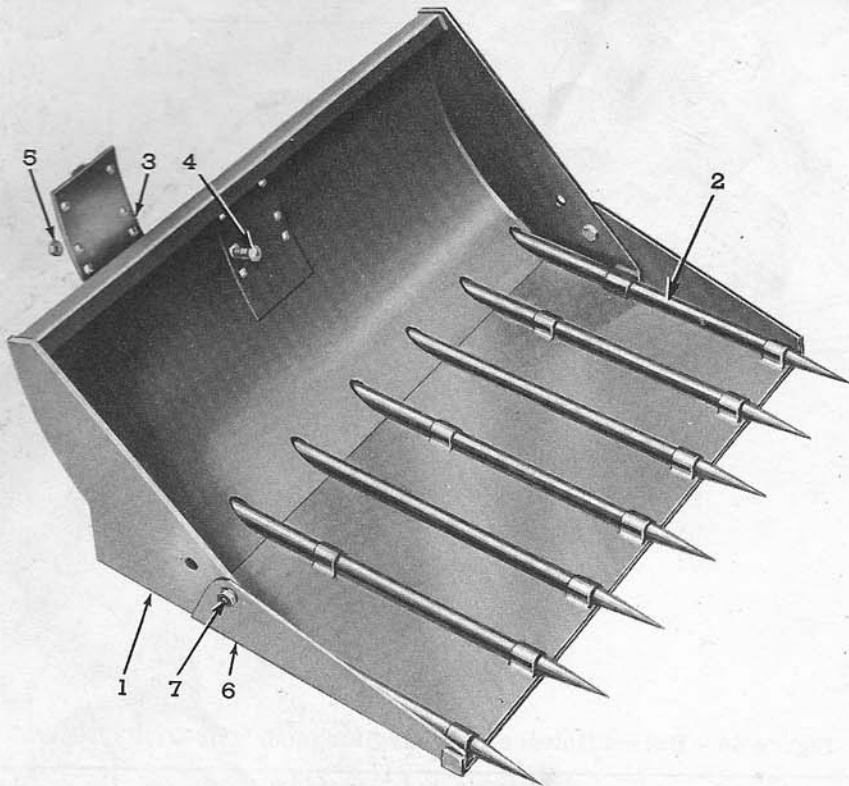
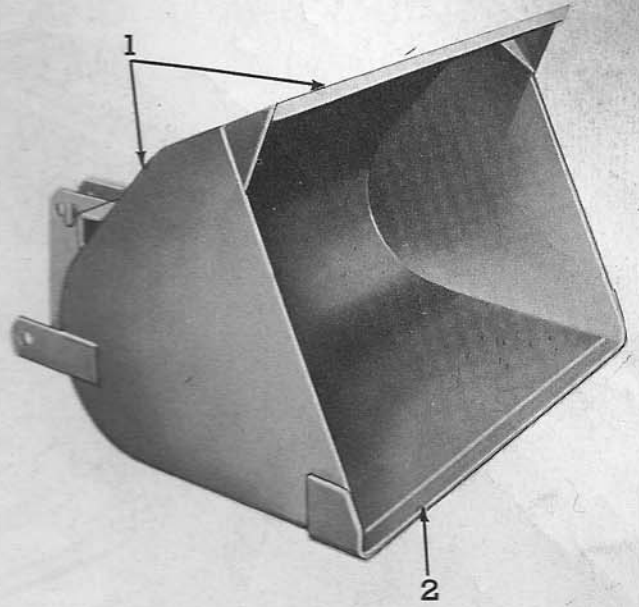


Figure 45 - Bucket for Models 19-29, 65

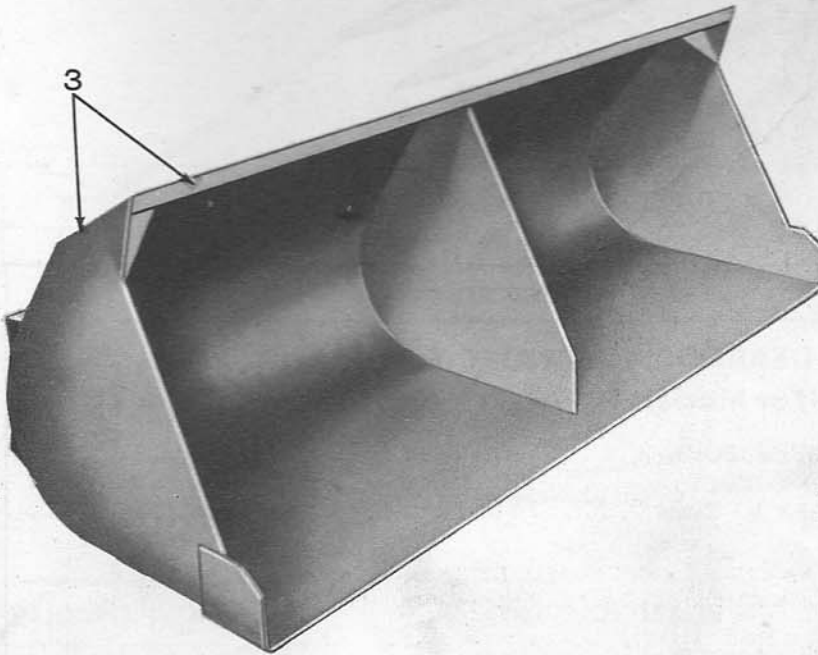
FIG. 45	PART NO.	NAME AND DESCRIPTION	QTY. REQ.
Group 8-4—BUCKET For Models 19-29 and 65			
1	192331	BUCKET, Rear Mounted Loader (Welded Assembly)	1
2	192342	TINE, Bucket	7
-		COTTER PIN, 1/4 x 1 - Tine to Bucket	7
3	192338	PLATE, Latch (Welded Assembly)	1
4		BOLT, 7/16 - 14 x 1 Carr. } Latch to Bucket	6
5		NUT, 7/16 - 14 Hex. }	
6	Mod. 19-41	Plate assembly, Material (Welded Assy.) (Extra Equipment)	1
		Consists of Plate which is not serviced separately plus items listed below:	
7		BOLT, 5/8 - 11 x 1 hex. hd. } Plate to Bucket	2
-		NUT, 5/8 - 11 Hex. }	

DEARBORN *Loaders*

MODELS 19-42 (Prior), 61 (Prior), 70,71



Model 19-43
Bucket



Model 19-53
Dearborn Snow and Grain Bucket

Figure 46 - Buckets, Models 19-43 and 53

FIG. 46	PART NO.	NAME AND DESCRIPTION	QTY. REQ.
		Group 8-5—BUCKETS For Models 19-42 (Prior), 61 (Prior), 70 & 71	
1	19-43	BUCKET ASSEMBLY, Material Type	1
2	193902	LIP, Cutting (Welded component of Bucket, available on special order)	1
3	19-53	DEARBORN SNOW AND GRAIN BUCKET	1
--	194100	DECAL, Horizontal, Implement	1

DEARBORN *Loaders*

MODELS 19-42 (Prior), 61 (Prior), 70 & 71

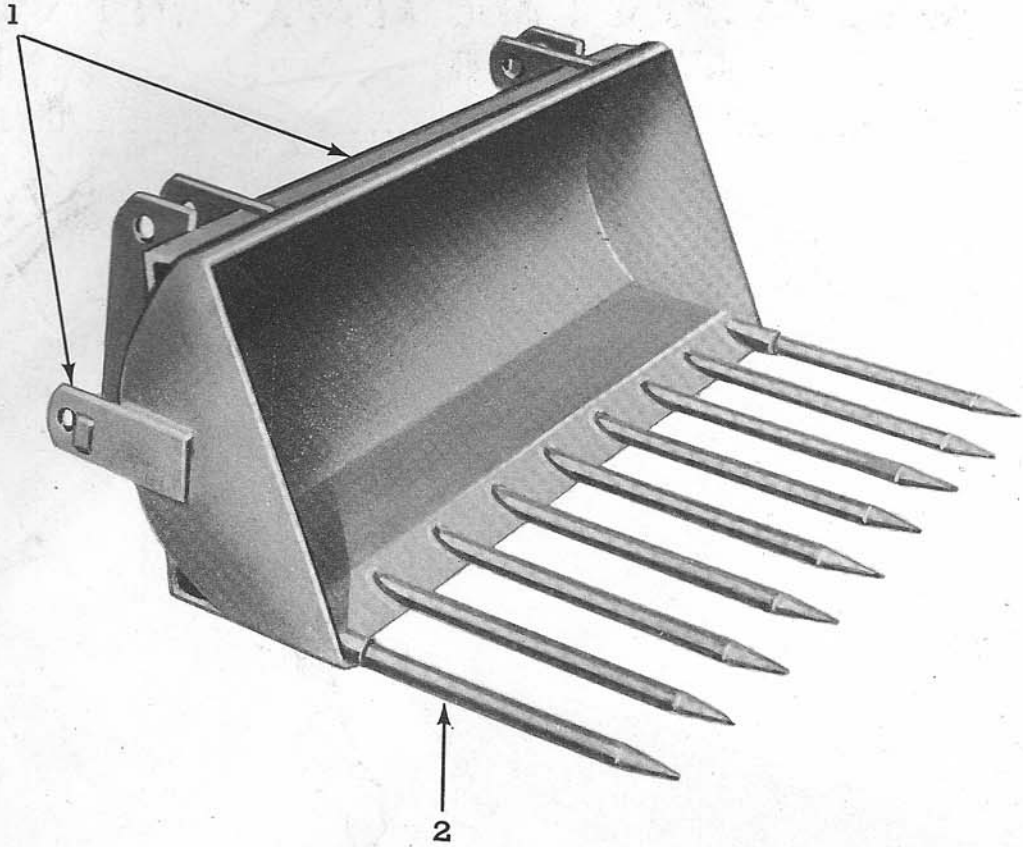


Figure 47 - Dearborn Manure Fork, Model 19-68

FIG. 47	PART NO.	NAME AND DESCRIPTION	QTY. REQ.
Group 8-6—DEARBORN MANURE FORK For Models 19-42 (Prior), 61 (Prior), 70 & 71			
1	19-68	DEARBORN MANURE FORK	1
2	192342	TINE, Manure Fork	9
-		COTTER PIN, 1/4 x 1 - Tines	9
<i>Ro</i>			

Group 9—CRANES AND ADAPTER UNIT ATTACHMENT

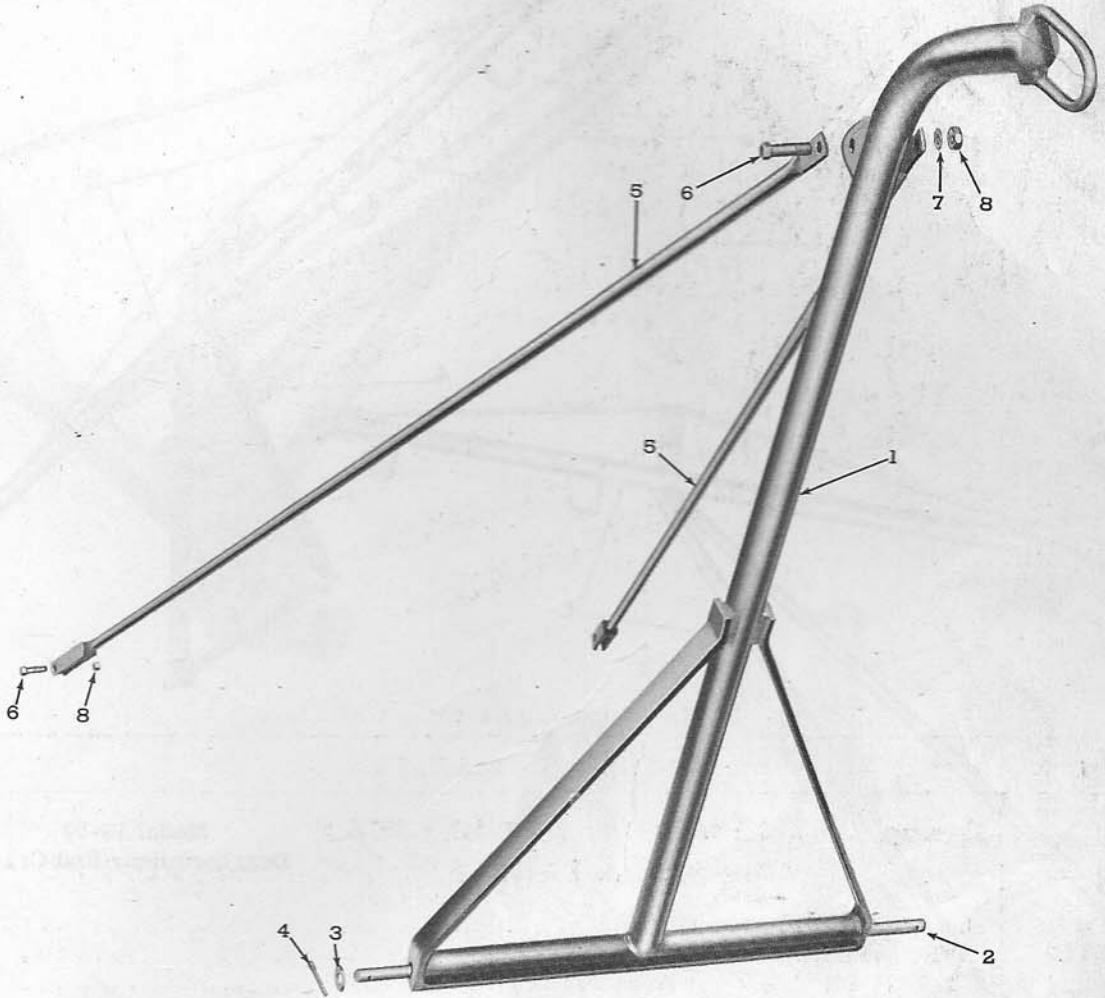


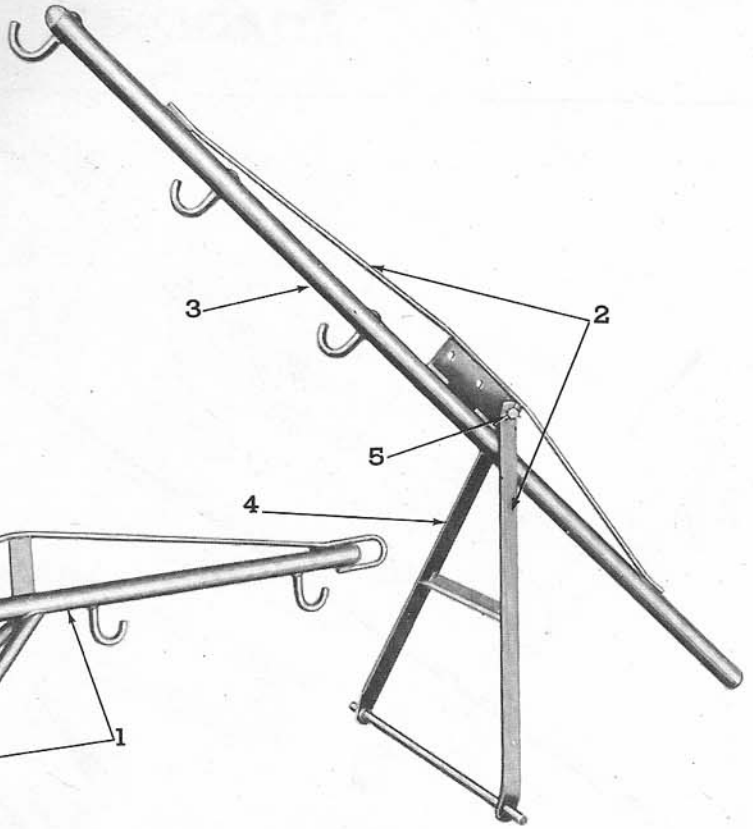
Figure 48 - Dearborn Crane Attachment, Model 19-33

FIG. 48	PART NO.	NAME AND DESCRIPTION	QTY. REQ.
Group 9-1—DEARBORN CRANE ATTACHMENT For Models 19-21, 22, 23 (Prior), 59 and 60			
1	192076	BOOM (Welded Assembly)	1
2	192063	SHAFT, Cross	1
3		WASHER, 1 Flat } Cross Shaft	2
4		COTTER PIN, 1/4 x 2 }	2
5	192067	ROD, Guide (Welded Assembly)	2
6		BOLT, 5/8 - 18 x 2-1/4 Hex. hd. } Rods to Loader Frame and Boom	3
7		LOCKWASHER, 5/8 }	1
8		NUT, 5/8 - 18 Hex. }	3

DEARBORN *Loaders*

MODELS 19-52, & 22-53 (Prior)

Model 22-53 (Prior)
Dearborn Rear End Crane



Model 19-52
Dearborn Rear End Crane

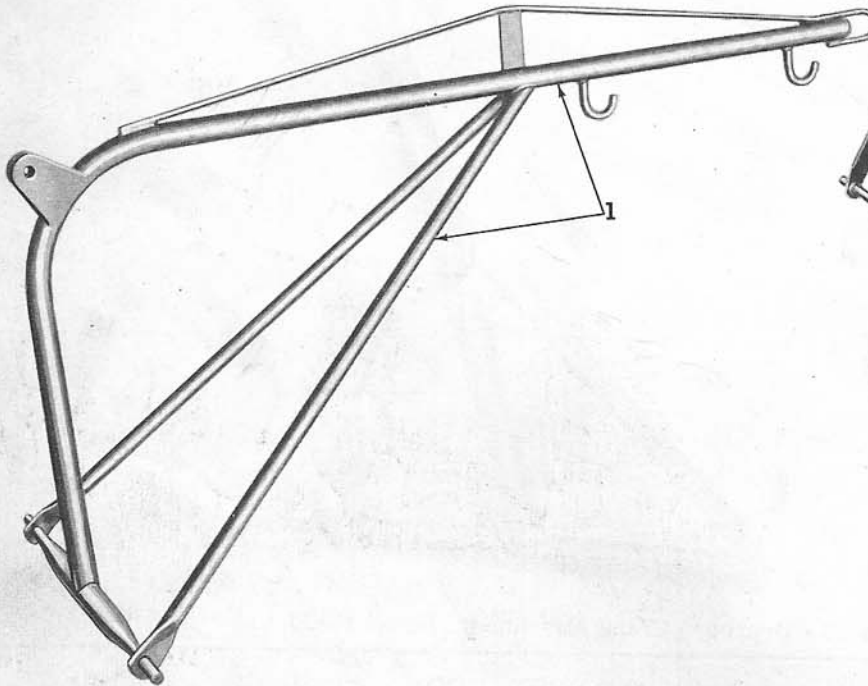
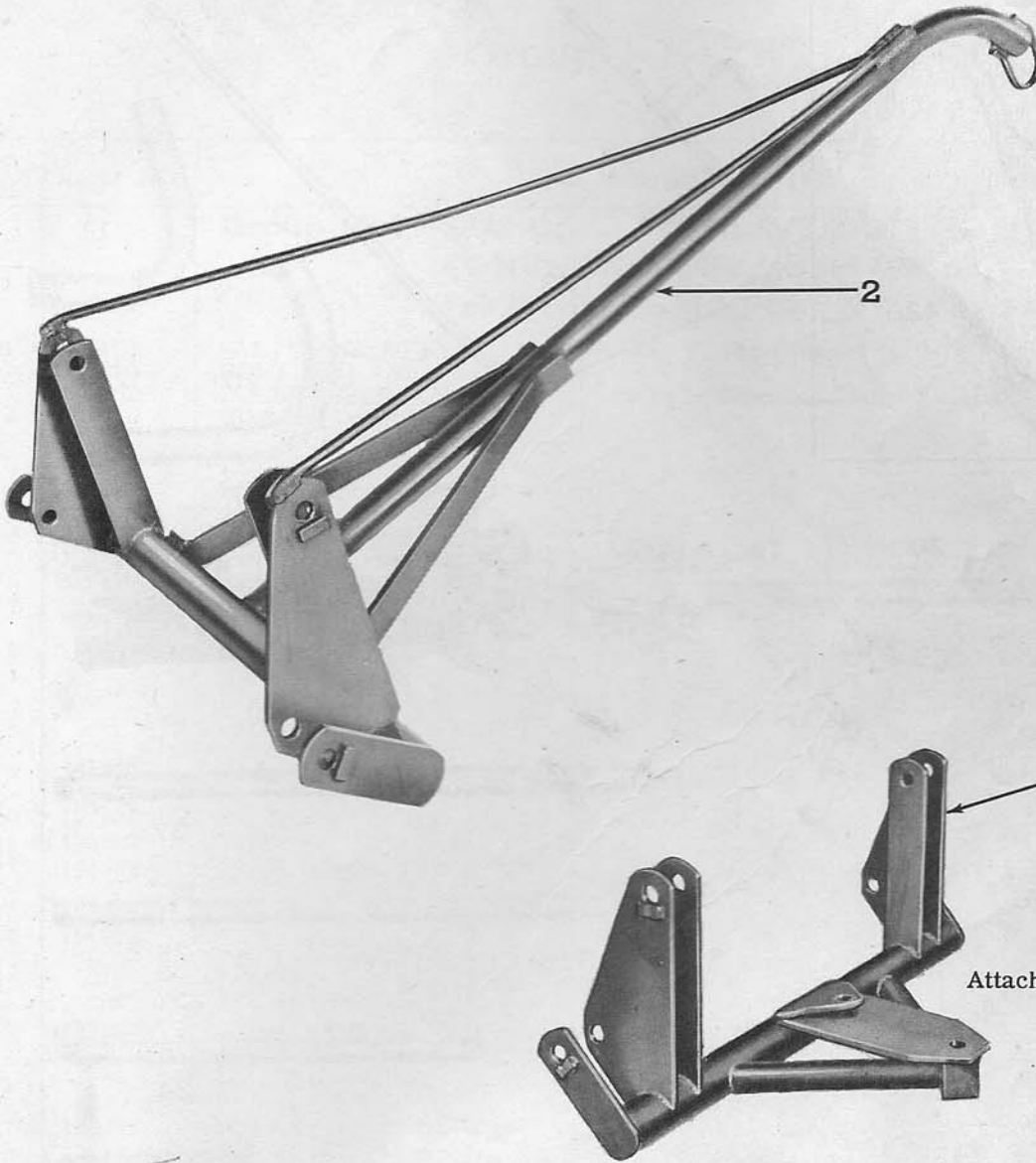


Figure 49 - Dearborn Rear End Crane, for Models 19-52, and 22-53 (Prior)

FIG. 49	PART NO.	NAME AND DESCRIPTION	QTY. REQ.
Group 9-2—DEARBORN REAR END CRANE For Models 19-52 and 22-53 (Prior) Fits All Tractors			
1	19-52	DEARBORN REAR END CRANE	1
-	112220	DECAL, Implement	1
2	22-53	DEARBORN REAR END CRANE	1
3	220070	BOOM (Welded Assembly)	1
4	220076	ARM, Lift (Welded Assembly)	1
5		PIN, 5/8 x 1-3/4 Clevis	1
5		COTTER PIN, 1/8 x 1-1/4 } Lift Arm to Boom	1

DEARBORN *Loaders*

MODELS 19-42 (Prior), 61 (Prior), 70 & 71



Model 19-69
Dearborn Crane
Attachment

Model 19-54
Attachment, Adapter Unit

Figure 50 - Attachment, Adapter unit, Model 19-54 and Dearborn Crane Attachment, Model 19-69

FIG. 50	PART NO.	NAME AND DESCRIPTION	QTY. REQ.
		Group 9-3—ATTACHMENT, ADAPTER UNIT, Model 19-54 and DEARBORN CRANE ATTACHMENT Model 19-69 For Models 19-42 (Prior), 61 (Prior), 70 & 71	
1	19-54	ATTACHMENT, Adapter Unit	1
		NOTE: This Unit makes possible the usage of the following implements with Models 19-42, 61, 70, 71	
		Model 19-2 Dearborn Angle Dozer	
		Model 19-3 Dearborn Blade Snow Plow	
		Model 19-4 (Prior) Dearborn "V" Snow Plow	
-	190155	PIN ASSEMBLY, ADAPTER	
		BOLT, 1 - 8 x 6 Hex. } Implement to Attachment	1
		NUT, 1 - 8 Sq. Hd. }	
2	19-69	DEARBORN CRANE ATTACHMENT	1
-	194100	DECAL, Implement	1

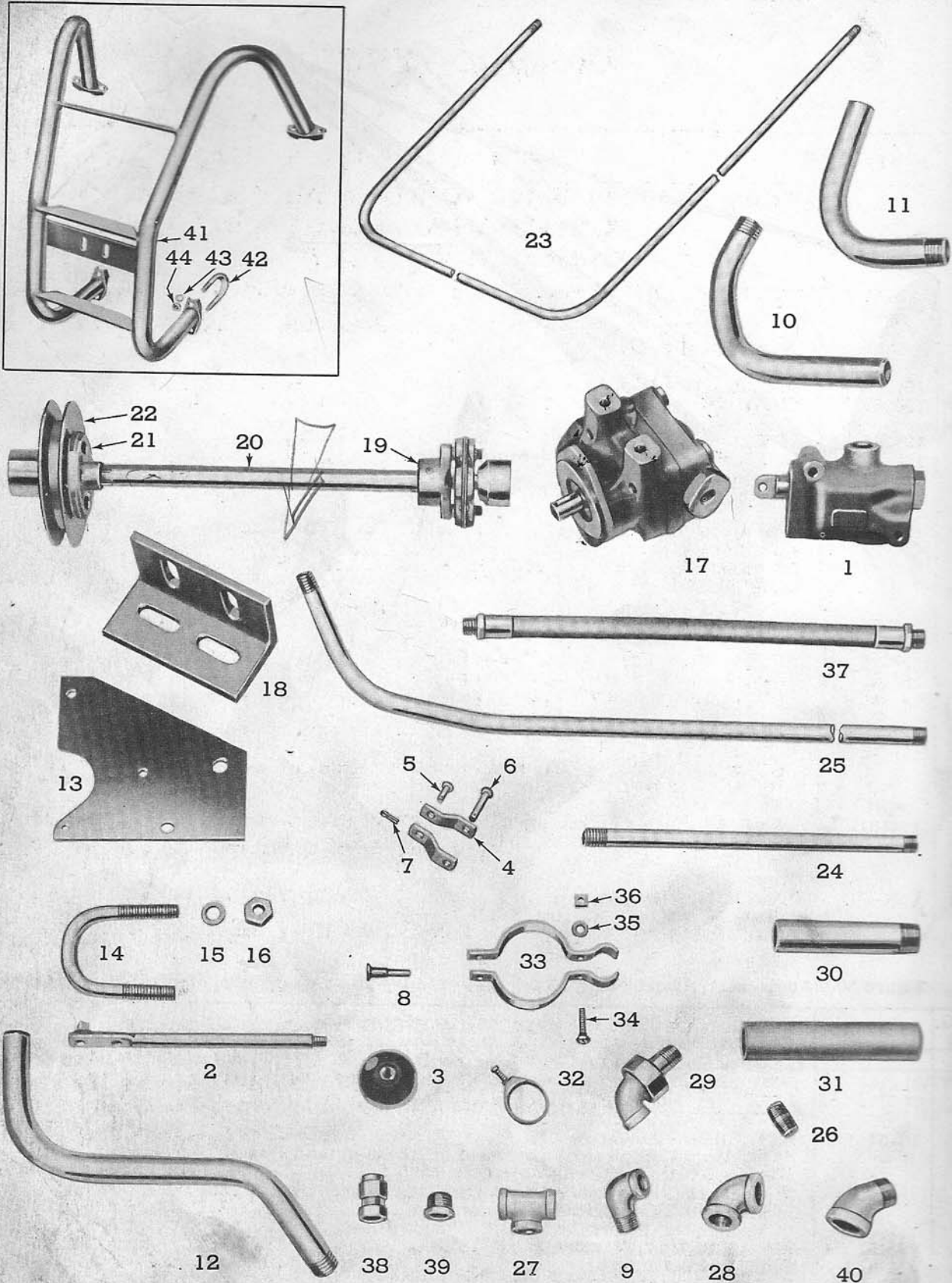


Figure 51 - Standard to Heavy Duty Loader Conversion Kit Model 19-26

Group 10—KITS

FIG. 51	PART NO.	NAME AND DESCRIPTION	QTY. REQ.
Group 10-1—STANDARD TO HEAVY DUTY LOADER CONVERSION KIT Model 19-26 For Model 19-21 to 19-22			
1	191479	VALVE ASSEMBLY, Control (See Fig. 37 For Component Parts)	1
-	300890	BOLT, 5/16 - 18 x 3 Hex. Hd. } Valve to Mounting Plate	1
-		LOCKWASHER, 5/16 }	
-		NUT, 5/16 - 18 Hex. }	
2	191345	LEVER, Control Valve	1
3	190369	KNOB, Control Valve Lever	1
4	191362	LINK, Control Valve to Lever	2
5	192171	PIN, Link (Rivet, 5/16 x 3/4 Rd. Hd. Drld.)	1
6	192172	PIN, Link (Rivet, 5/16 x 1-1/4 Rd. Hd. Drld.)	1
7		COTTER PIN, 1/8 x 3/4 - Link Pin	2
8	190365	PIN, Pivot, Valve Lever	1
-		NUT, 3/8 - 24 Hex. } Pivot Pin	
-		LOCKWASHER, 3/8 }	
-		COTTER PIN, 1/8 x 3/4 }	
9	304503	ELL, Street, 3/8 - Valve Nipple to Tee	1
10	192546	PIPE, Valve to Hose	1
11	192547	PIPE, Frame to Hose	1
12	194382	PIPE, Frame to Pump	1
13	192046	PLATE, Mounting, Control Valve	1
14	191475	U-BOLT, 1/2 - 13 } Mounting Plate to Frame	1
15		LOCKWASHER, 1/2 }	2
16		NUT, 1/2 - 13 Hex. }	2
17	192504	PUMP ASSEMBLY, Hydraulic (See Fig. 40 For Component Parts)	1
--		BOLT, 1/2 - 13 x 1-1/4 Hex. Hd. } Pump to Mounting Bracket	2
--		WASHER, 1/2 Flat }	
18	192043	ANGLE, Mounting, Pump	1
--		BOLT, 1/2 - 13 x 1-1/2 Hex. Hd. } Bracket to Bumper Mounting	2
--		WASHER, 1/2 Flat }	4
--		NUT, 1/2 - 13 Hex. }	2
19		COUPLING ASSEMBLY (See Figure 40 for Component Parts)	1
20	194354	SHAFT, Drive	1
--		KEY, Woodruff, 3/16 x 3/4 - Shaft (One Key Included w/Pump)	1
21	192161	HUB ASSEMBLY, (See Figure 40 for Component Parts)	1
--	300376	BOLT, 1/4 - 28 x 1 Socket Hd. } Hub to Sheave	4
--		LOCKWASHER, 1/4 }	
22	192160	SHEAVE, Drive	1
--		PIN, Dowel, 1/4 x 3/4 - Sheave to Crankshaft	1
--	192167	BOLT, 5/8 - 18 x 7/8 Slotted Hd. (Spec.) } Sheave to Crankshaft	1
--		LOCKWASHER, 5/8 Internal Teeth }	
23	192151	PIPE, Equalizer (U-Shape)	1
24	304378	PIPE, Extension, 3/8 x 10	1
25	191359	PIPE, High Pressure Feed Line, 3/8 x 69-1/4	1

DEARBORN *Loaders*

MODELS 19-21, 22

FIG. 51	PART NO.	NAME AND DESCRIPTION	QTY. REQ.
Group 10-1—STANDARD TO HEAVY DUTY LOADER CONVERSION KIT Model 19-26 For Model 19-21 to 19-22 (Cont'd)			
26	191364	NIPPLE, Orifice, Control Valve Restrictor, 3/8	1
27	193658	TEE, Pipe, 3/8 x 3/8 x 3/8	1
28	304578	ELBOW, Pipe, 3/4 - 90°	1
29	191164	UNION, Pipe - Feed Line to Valve	1
30	190395	NIPPLE, Pipe, 3/4 x 3	1
31	194383	HOSE, Outlet 1 x 8 1/2	1
32	190314	CLAMP, Hose, w/Screw (Aircraft Type)	2
33	191471	CLAMP ASSEMBLY, Pipe	4
		Consists of Two Half Clamps which are not serviced separately, plus items listed below:	5
34		BOLT, 1/4 - 20 x 1 Rd. Hd. Stove	10
35		LOCKWASHER, 1/4	10
36		NUT, 1/4 - 20 Sq.	10
37	192114	HOSE, Hydraulic, w/Male Couplings, 3/8	1
38	192115	ADAPTER, Hydraulic Hose, Female	1
39	192593	BUSHING, Reducing, 1 to 3/4 - Pump Left Side	1
39	190607	BUSHING, Reducing, 1/2 to 3/8 - Pump Right Side	1
40	304496	ELL, Street, 3/4 - 45° - Pump Left Side	1
41	194463	BUMPER, Loader (Welded Assembly)	1
42	191475	U-BOLT, 1/2 - 13	4
43		LOCKWASHER, 1/2	8
44		NUT, 1/2 - 13 Hex. } Bumper to Frame	8
NOTE:			
The following extra part is also included in this kit for conversion of Loaders manufactured prior to September 1, 1950.			
	190454	NIPPLE, Pipe, 3/4 x 5	3

DEARBORN *Loaders*

MODELS 19-42 (Prior), 61 (Prior), 70 & 71

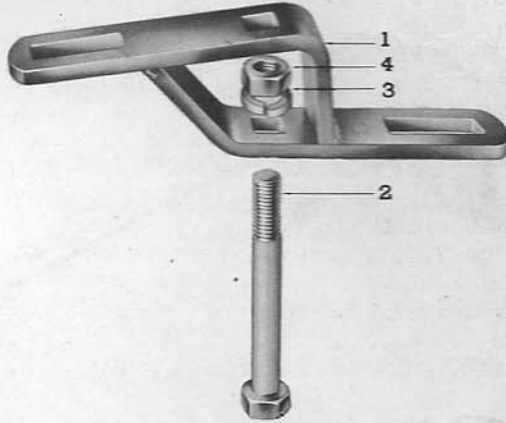


Figure 52 - Fender Bracket Kit

FIG. 52	PART NO.	NAME AND DESCRIPTION	QTY. REQ.
		<p>Group 10-2—FENDER BRACKET KIT For Models 19-42(Prior), 61 (Prior), 70 & 71 <i>4644</i></p> <p>KIT, Fender Bracket 1</p> <p>Consists of Brackets which are not serviced separately plus items listed below:</p> <p>2 BOLT, 5/8 - 11 x 6 Hex. Hd. } Fender 4</p> <p>3 LOCKWASHER, 5/8 } Fender 4</p> <p>4 NUT, 5/8 - 11 Hex. } Fender 4</p>	

DEARBORN *Loaders*

MODELS 19-21, 22, 42 (Prior) & 70

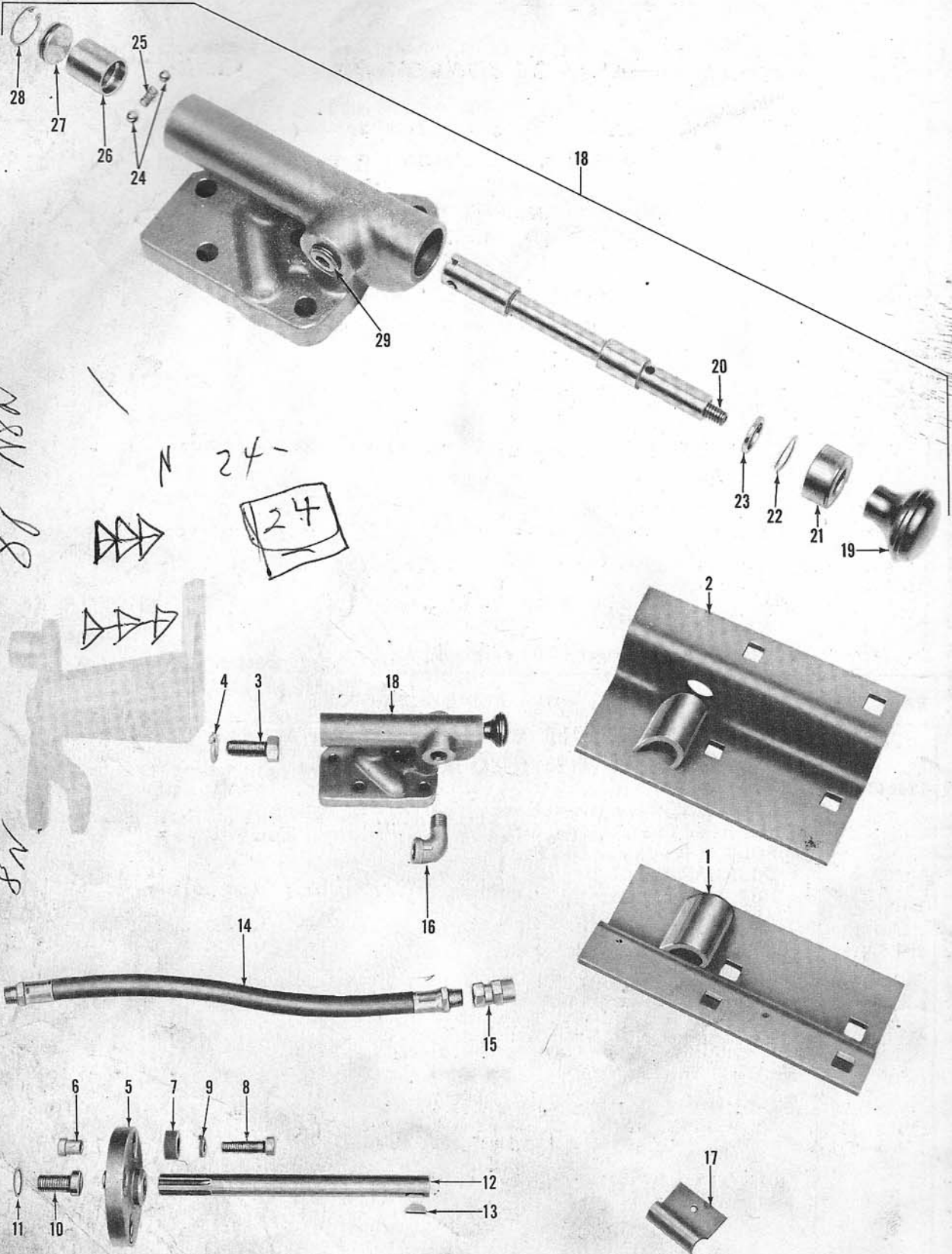


Figure 53 - Loader Conversion Kits

FIG. 53	PART NO.	NAME AND DESCRIPTION	QTY. REQ.		
			19-62	19-63	19-64
Group 10-3—KITS FOR CONVERSION TO NAA TRACTORS					
		STANDARD LOADER CONVERSION KIT			
		MODEL 19-62 for MODEL 19-21	1		
		HEAVY DUTY LOADER CONVERSION KIT			
		MODEL 19-63 for MODEL 19-22		1	
		INDUSTRIAL LOADER CONVERSION KIT			
		MODEL 19-64 for MODEL 19-42 (Prior), 70			1
1	194369	BRACKET, Axle Mounting, L.H.	1	1	
2	194370	BRACKET, Axle Mounting, R.H.	1	1	
-		BOLT, 1/2 - 20 x 1-1/2 Hex. Hd.	1	1	
-		LOCKWASHER, 1/2	1	1	
3		BOLT, 5/8 - 18 x 1-1/2 Hex. Hd.	1		1
4		LOCKWASHER, 1/2			1
		} Suspension Plate to Axle Support			
5	194340	HUB ASSEMBLY, Sheave Consists of Hub which is not serviced separately plus items listed below:	1	1	
6	194342	INSERT, Rubber Block		4	4
7	194343	BLOCK, Rubber		4	4
8		BOLT, 7/16 - 14 x 1-1/4 Hex. Hd.		4	4
9		LOCKWASHER, 7/16		4	4
		} Hub to Sheave			
10	194344	CAPSCREW, 5/8 - 18 x 1-3/16 Fill. Hd.			
11		WASHER, 5/8 Flat			
12	194355	SHAFT, Drive, Pump	1		1
13		KEY, 3/16 x 3/4, #9 Woodruff			1
14	192114	HOSE, Hydraulic w/Male Couplings, 3/8 x 16-3/4	1		
15	192115	ADAPTER, Hose, 3/8	1		
16		ELL, Street, 3/8, 90° - Valve to Hose	1		
17	194404	CLAMP, Pipe	1		
18	Model 23-10	SELEC-TROL VALVE	1		
		Consists of Body and Spool which are not serviced separately plus items listed below:			
19	192240	KNOB, Control	1		
20		SET SCREW, 5/16 - 18 x 7/8 Hex. Socket, Headless - Knob to Spool	1		
21	230455	SEAL, Oil	1		
22	230706	RING, Snap Internal	1		
23	230461	WASHER, Flat, Special	1		
		} Spool			
24	230458	BALL, Steel, Detent, 1/4	1		
25	230459	SPRING, Tension, Detent Ball	1		
26	230462	SLEEVE, Detent Ball	1		
27	230463	RETAINER, "O" Ring	1		
--	230464	"O" RING, .674 ID x .875 OD x .103 Rubber	1		
28	230457	RING, Snap, Internal	1		
--	NAA-937-A	"O" RING, .301 ID x .438 OD x .070 Rubber	1		
--	NAA-937-D	"O" RING, .424 ID x .625 OD x .103 Rubber	3		
--	NAA-937-E	"O" RING, .487 ID x .688 OD x .103 Rubber	1		
		} Holes in Body of Valve			
29		PIPE PLUG, 3/8 - 16 x 3/4 Socket, Headless - Body	1		

1342

1423



NUMERICAL INDEX (Cont'd)

PART NO.		PAGE NO.	PART NO.		PAGE NO.
19-9	Bucket Assembly	71			
19-9A	Bucket Assembly	71	190369	Knob	52
19-10	Bucket Assembly	71			59
19-10A	Bucket Assembly	71	190371	Seal	81
19-31	Bucket Assembly	72	190375	Pin	65,69
19-32	Bucket Assembly	72			32
19-41	Plate Assembly	74	190377	Pin and Clip	24
19-43	Bucket Assembly	75			26
19-52	Dearborn Rear End Crane	78	190380	Screen	32
19-53	Dearborn Snow and Grain		190381	Wrench	65
	Bucket	75	190382	Plate	37
19-54	Attachment, Adapter Unit	79	190388	Pipe	65
19-68	Dearborn Manure Fork	76	190389	Pipe	25
19-69	Dearborn Crane Attachment	79	190391	Union	59
23-10	Selec-Trol Valve	50,85		Pipe	25
					56
2N-574	Pin, Linch	30	190395	Nipple	59
		31			65
		36			68
		30			82
2N-575	Ring	31	190416	Ring	37
		36	190417	Nut	37
9N-614	Gasket	43	190418	Wiper	37
8N-638	Valve	48,49	190454	Nipple	82
NAA-937-A	"O" Ring	85	190459	Cylinder Assembly	38
NAA-937-D	"O" Ring	85	190460	Cylinder	38
NAA-937-E	"O" Ring	85	190463	Shaft	38
NAA-3126A	Pin	68	190464	Stop	38
8CM-8287	Clamp	56,68	190465	Bolt	38
112220	Decal	35,78			
190155	Pin Assembly	79	190466	Lockwasher	38
190267	Pipe	24	190467	Box	38
190268	Tee	59	190469	Nut	38
190269	Pipe	24,25	190470	"O" Ring	38
190270	Pipe	24,25			
190273	Union	59	190471	Wiper	38
190276	Cap	24	190487	Plug	26
190310	Rod	32	190488	Plug	25,26
190312	Nipple	59	190495	Shaft	34
		53	190510	Tine	71,72
		54	190541	Side Member and	
		56		Cross Brace	21
190314	Clamp	59	190550	Crossmember	21
		65	190551	Plate	21
		68	190552	Plate	21
		82	190568	Brace	23
190318	Strainer Assembly	65	190571	Brace	23
190331	Bar	23	190572	Brace	23
		32	190573	Arm	30-35
		73	190577	Arm	30
190338	U-Bolt and Plate Assembly	32	190583	Hoist Assembly	36
190339	Spring	33,73			
190342	Link	59	190584	Cylinder	36
190351	Rod	33	190589	Shaft	36
190353	Link	33,73	190591	Ring	36,37
190359	Pin	33,73	190592	Ring	36
190365	Pin	52,81			
190368	Lever	59			

NUMERICAL INDEX (Cont'd)

PART NO.		PAGE NO.	PART NO.		PAGE NO.
190596	Packing	36	190950	Clamp	23
190597	Nut	36	190951	Housing and Bushing Assy.	36
190600	Connector	43	190952	Handle	23
		48	190953	Rod	31
		49	190954	Rod	31
190602	Pipe	48	191061	Flange Assembly	65
190603	Bracket	48,49	191140	Yoke	31
190605	Valve Assembly	48	191164	Union	43
190607	Bushings	48			53
		56			54
		68			56
		82	81		
190608	Fitting	48	191181	Ring	65,69
190619	Bucket Assembly	70	191182	Washer	65,69
190623	Pin	70	191183	Pin	65,69
190629	Plate	70	191184	Ring	65,69
190639	Bar	70	191192	Coupling	65
190647	Shaft and Latch	70	191196	Hub w/Pins Assembly	65
190651	Cable	23	191338	Bracket	26
190657	Knob	23	191345	Lever	52,81
190658	Holddown	31	191356	Lever Assembly	32,73
190668	Post and Base	22	191357	Clamp Assembly	55
190669	Post and Base	22	191359	Pipe	53
190672	Chain	22			55
190673	Clevis	22			81
190677	Pin	30	191360	Pin & Clip	34
190678	Pin	31	191362	Link	52,81
190679	Pin	36	191363	Rod	73
190682	Spring	70	191364	Nipple	53
190693	Bracket	21			54
190694	Bracket	21			81
190708	Knob	23	191463	Arm Assembly	34
190710	Release	70	191471	Clamp Assembly	45
190711	Release	70			53
190736	Fitting	65			55
190737	Bushing	65			82
190740	Cylinder	37	191475	U-Bolt	26
190741	Shaft	37			27
190742	Ring	37			32
190743	"O" Ring	37			49
190747	Packing	37,38			52
190751	Coupling Assembly	65			54
190753	Block	65,68			73
190757	Hub w/Pins Assembly	65			81
190760	Shaft	65			82
190762	Flange	65			191479
190770	Plate	65	191743	Valve Assembly	59
190771	Plate	65	192010	Hose	48
190778	Spring	32	192011	Adapter	48
190813	Ring	59	192021	Coupling	55,56
190814	Retainer	59	192025	Bracket	45
190815	Spring	59	192026	Bracket	45
190816	Nut	59	192034	Pin	45
190817	Gasket	59	192038	Pipe	45
190818	Cap	59			45
190936	Hose	65			45
190943	Hose	65			45,55
190944	Adapter	65	192039	Cylinder Assembly	45
			192040	Pipe	45,55

NUMERICAL INDEX (Cont'd)

PART NO.	PART NAME	PAGE NO.	PART NO.	PART NAME	PAGE NO.	
192043	Angle	67,81	192149	Wiper	45,47	
192046	Plate	52	192150	Packing	39	
		54	192151	Pipe	53	
		81			55	
192063	Shaft	77	192152	Sheave	65	
192067	Rod	77			192153	Plate
192075	Pin	31,73	192160	Sheave	68,81	
192076	Boom	77	192161	Hub Assembly	68,81	
192088	Cylinder Assembly	39	192164	Insert	68	
			192103	Coupling	45	65
					47	
192109	Pipe	56	192167	Bolt	68	
		55			81	
		24			67	
192114	Hose	25	192169	Coupling Assembly	67	
		47	192171	Pin	52,81	
		49	192172	Pin	52,81	
		50	192181	Bracket	49	
		53	192199	Flange Assembly	67	
		55	192204	Retainer	63	
		56	192205	Spring	60,63	
		68	192207	Washer	60,63	
		82	192213	Spacer	63	
		85	192218	Seal	63	
		24	192223	Gasket	63	
		25	192230	Spring	60,63	
		43	192237	Gasket	63	
45	192240	Knob	85			
47	192242	Link	63			
49	192243	Pin	63			
50	192244	Pin	63			
53	192251	Washer	34			
55	192264	Follower & Ball Assembly ..	60			
56	192267	Spring	60			
68	192269	Seal	60			
82	192270	Slide	60			
85	192271	Spring	60			
49	192272	Cap	60			
49	192273	"O" Ring	47,60			
39	192277	Spacer	60			
39	192281	Gasket	60			
39,40	192282	Cap	60			
39	192331	Bucket	74			
45,47	192338	Plate	74			
39	192342	Tine	74,76			
39	192343	Washer	43			
39	192350	Cradle	29			
39	192361	Yoke	29			
40	192363	Roller	29			
45	192364	Spring	29			
47	192366	Spacer	29			
39	192370	Arm	29			
45	192380	Arm	29			
45,47	192385	Arm Assembly	29			
45,47	192390	Arm Assembly	29			
45,47	192391	Link	29			
45,47	192392	Link	29			
45,47	192395	Strut	29			
45,47	192400	Strut	29			
49	192116	Valve Assembly				
49	192121	Pipe				
39	192122	Cylinder				
39	192125	Shaft				
39,40	192126	Stop				
39	192127	Box				
45,47	192128	Packing				
39	192129	Gland				
39	192130	Wiper				
39	192131	"O" Ring	39			
40						
45						
47	192132	Nut				
39	192137	Cylinder				
45	192140	Shaft				
45,47	192142	Cup				
45,47	192143	Spacer				
45,47	192145	Yoke				
45,47	192146	Gland				
45,47	192147	Nut				

80
18
18

467

NUMERICAL INDEX (Cont'd)

PART NO.	PART NAME	PAGE NO.	PART NO.	PART NAME	PAGE NO.
192402	Brace	29	192592	Capscrew	67
192405	Spacer	29	192593	Bushing	56 68
192410	Frame Assembly	29			
192424	Link	29	192846	Cap	27
192426	Spacer	29			
192427	Spacer	29	193603	Frame	26
192428	Spacer	29	193636	Spacer	63
192429	Spacer	29	193637	Washer	63
192430	Rod	29	193641	Gasket	63
192456	Cylinder Assembly	43	193642	Seal Assembly	63
192461	Shaft	43	193645	Bracket	63
192462	"O" Ring	43	193647	Cap	63
192463	Wiper	43	193650	Follower	63
192465	HiCh	43	193651	Bonnet	63
192466	Pin	43	193652	"O" Ring	63
192470	Rod	43	193658	Tee	43
192473	Pin	43	193662	Barrel & Piston Assembly ..	63
192474	Clip	43	193830	Pin	43
192478	Tube Assembly	43	193831	Pin	43
192479	Tube Assembly	43	193854	Shaft	47
192481	Tube Assembly	43	193855	Pin	45,47
192483	Tee	43	193856	Pin	47
192484	Hose	43	193888	Pin	35
192504	Pump Assembly	65	193902	Lip	75
		67	193908	Bumper	27
		81	193915	Pin	35
192521	Cap	26	193916	Pin	27 35
192522	Lever	63			
192523	Lever	63	193923	Cylinder	47
192524	Valve Assembly	63			
192544	Pin, Bucket	25	193928	Pipe	56
		32	193929	Pipe	68,81
		33	193930	Pipe	56
		34	193931	Pipe	45 47
53,81					
192546	Pipe	53	193942	Pipe	56
192547	Pipe	54	193943	Pipe	56
		81	193946	Cylinder Assembly	40
192548	Pipe	54	193947	Cylinder	40
192551	Sleeve	45,72	193949	Shaft	40
192555	Plate	67	193952	Box	40
192556	Spring	67	193953	Nut	40
192557	"O" Ring	67	193954	Packing	40
192558	Washer	67	193957	Gland	40
192559	Body	67	193958	Wiper	40
192560	Cover	67	193960	Cylinder Assembly	47
192561	Shaft	67	193961	Washer	45,47
192562	Seal	67	193963	Plug	27
192563	Housing	67	193976	Pin	29
192564	Rotor	67	193990	Chain	43
192565	Vane	67	193991	Lug	35
192568	Bearing	67	193996	Valve Assembly	63
192569	Bearing	67	194009	Pin	29
192580	Shaft	34	194093	Pin	43
192583	Collar	34	194094	Pin	68
192589	Ring	67	194100	Decal	79
192591	Pin	67	194142	Pipe	56,68

NUMERICAL INDEX (Cont'd)

PART NO.	PART NAME	PAGE NO.	PART NO.	PART NAME	PAGE NO.
194145	Hose	56,68	220070	Boom	78
194147	Pipe	56,68	220076	Arm	78
194153	Pipe	56	230455	Seal	85
194241	Plate	26,68	230457	Ring	85
194284	Coupling	43	230458	Ball	85
194340	Hub Assembly	67,85	230459	Spring	85
194341	Hub	67	230461	Washer	85
194342	Bushing	67,85	230462	Sleeve	85
194343	Block	67,85	230463	Retainer	85
194344	Capscrew	68,85	230464	"O" Ring	85
194349	Valve Assembly	63	230706	Ring	85
194350	Bracket	63	300082	Pin	31
194351	Cap	63	300116	Pin	73
194353	Gasket	63	300122	Washer	65
194354	Shaft	67,81	300123	Pin	70
194355	Shaft	67,85	300353	Set Screw	65
194365	Plate	26	300376	Bolt	81
194369	Bracket	26,85	300385	Bolt	27
194370	Bracket	26,85	300890	Bolt	81
194382	Pipe	68,81	303869	Pin	73
		53	304008	Nipple	49
		54	304015	Nipple	59
		56	304062	Nipple	48
194383	Hose	59	304071	Nipple	50
		65	304072	Nipple	59
		68	304237	Nipple	49,50
		82			25
194387	Hose	56	304378	Pipe	53
194396	Hanger	43			55
194404	Clamp	50,85			81
194434	Bracket	43	304382	Pipe	49,50
194441	Valve Assembly	63	304486	Ell	59
194447	Kit	82	304494	Ell	56,68
194450	Pipe Assembly	43	304496	Ell	68,82
194451	Pipe Assembly	43			50
194453	Pipe	43	304503	Ell	53
194455	Hose	43			55
194463	Bumper	26,82			56
194476	Pipe	56	304505	Ell	81
		24	304540	Elbow	56,65
194478	Pipe	25			68
		56	304578	Elbow	56
194480	Hose	56			68
			358039-S	Plug	81
194491	Head	45,47			25
194496	Frame	27			
194497	Arm	35			
194498	Yoke & Gusset Assy's	72			
194568	Arm	35			

194443

43

7

